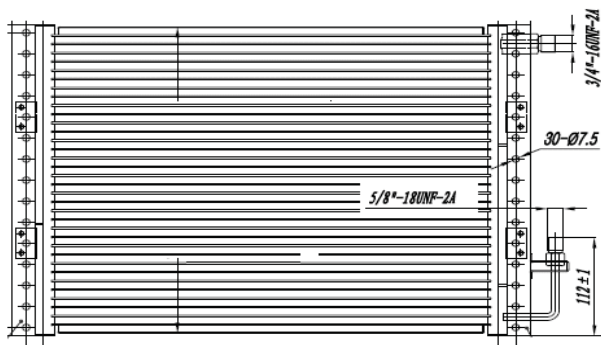
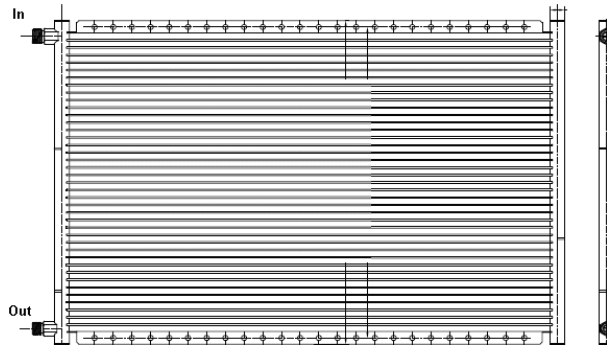


Multi-Flow (MFC) Condenser Available Sizes

H	X	W	X	T	In-Let 3/4" * 16UNF	Out-Let 5/8 * 18UNF	Fitting	Type
10"		18"		16mm			O-ring	1
12"		21"		18mm			Flare	2
14"		23"		20mm				
-	-	26mm						



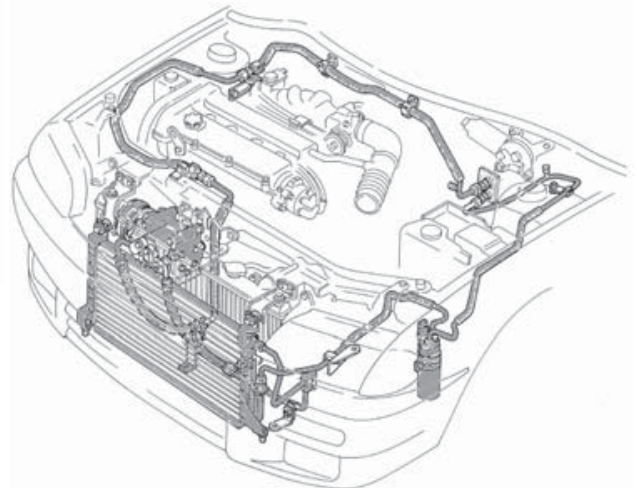
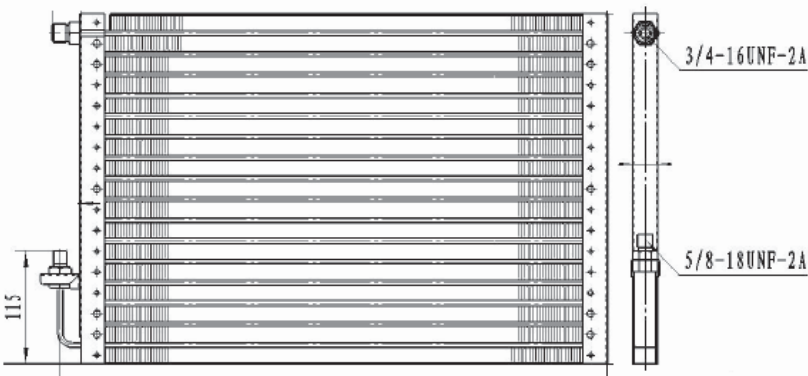
TYPE I



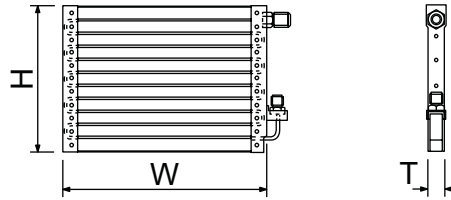
TYPE 2

Serpentine Condenser Available Sizes

H	X	W	X	T	In-Let 3/4" * 16UNF	Out-Let 5/8 * 18UNF	Fitting
10"		14"		22mm			O-ring
12"		18"		26mm			
14"		21"		32mm			Flare
16"		23"		44mm			
-		26"		-			
-	28"	-					

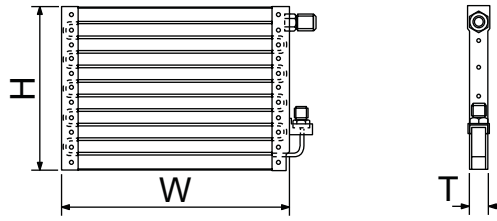


A A COMPRESSOR
 B A CONDENSER
 C A EVAPORATOR
 D A RECEIVER DRIER
 E A EXPANSION VALVE
 F A CABIN FILTER
 G A MOTOR
 H A HOSES
 I A THERMOSTAT
 J A BLOWER
 K A AC / DC FAN
 L A REFRIGERANT GAS
 M A FITTING
 N A FERRULE
 O A ACCESSORIES



UNIVERSAL SERPENTINE CONDENSER - ORING

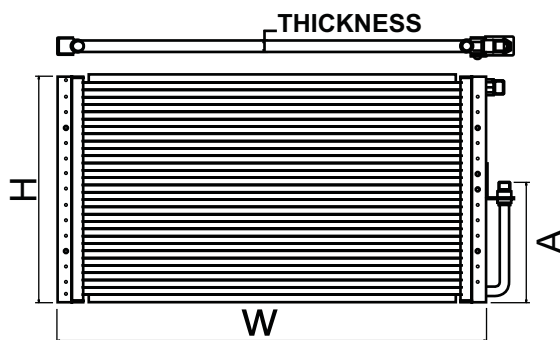
No.	AC EDGE P/No	Size (H" x W" x T mm)	Height H (mm)	Width W (mm)	Outlet A (mm)	Fitting			
						IN	Type	OUT	Type
1	BA-9001-00	10" x 18" x 19	260	457	115	3/4X16UNF	O-Ring	5/8X18UNF	O-Ring
2	BA-9004-00	10" x 21" x 19	260	553	115	3/4X16UNF	O-Ring	5/8X18UNF	O-Ring
3	BA-9007-00	10" x 23" x 19	260	584	115	3/4X16UNF	O-Ring	5/8X18UNF	O-Ring
4	BA-9002-00	12" x 18" x 19	308	457	115	3/4X16UNF	O-Ring	5/8X18UNF	O-Ring
5	BA-9005-00	12" x 21" x 19	308	553	115	3/4X16UNF	O-Ring	5/8X18UNF	O-Ring
6	BA-9008-00	12" x 23" x 19	308	584	115	3/4X16UNF	O-Ring	5/8X18UNF	O-Ring
7	BA-9003-00	14" x 18" x 19	356	457	115	3/4X16UNF	O-Ring	5/8X18UNF	O-Ring
8	BA-9006-00	14" x 21" x 19	356	553	115	3/4X16UNF	O-Ring	5/8X18UNF	O-Ring
9	BA-9009-00	14" x 23" x 19	356	584	115	3/4X16UNF	O-Ring	5/8X18UNF	O-Ring
10	BA-9010-00	10" x 18" x 22	260	457	115	3/4X16UNF	O-Ring	5/8X18UNF	O-Ring
11	BA-9013-00	10" x 21" x 22	260	553	115	3/4X16UNF	O-Ring	5/8X18UNF	O-Ring
12	BA-9016-00	10" x 23" x 22	260	584	115	3/4X16UNF	O-Ring	5/8X18UNF	O-Ring
13	BA-9011-00	12" x 18" x 22	308	457	115	3/4X16UNF	O-Ring	5/8X18UNF	O-Ring
14	BA-9014-00	12" x 21" x 22	308	553	115	3/4X16UNF	O-Ring	5/8X18UNF	O-Ring
15	BA-0008-00	12" x 21" x 22	308	553	115	3/4X16UNF	O-ring	5/8X18UNF	O-Ring
16	BA-9017-00	12" x 23" x 22	308	584	115	3/4X16UNF	O-Ring	5/8X18UNF	O-Ring
17	BA-9012-00	14" x 18" x 22	356	457	115	3/4X16UNF	O-Ring	5/8X18UNF	O-Ring
18	BA-9015-00	14" x 21" x 22	356	553	115	3/4X16UNF	O-Ring	5/8X18UNF	O-Ring
19	BA-9018-00	14" x 23" x 22	356	584	115	3/4X16UNF	O-Ring	5/8X18UNF	O-Ring
20	BA-0006-00	14" x 23" x 22	356	584	115	3/4X16UNF	O-ring	5/8X18UNF	O-Ring
21	BA-9019-00	10" x 18" x 26	260	457	115	3/4X16UNF	O-Ring	5/8X18UNF	O-Ring
22	BA-9022-00	10" x 21" x 26	260	553	115	3/4X16UNF	O-Ring	5/8X18UNF	O-Ring
23	BA-9025-00	10" x 23" x 26	260	584	115	3/4X16UNF	O-Ring	5/8X18UNF	O-Ring
24	BA-9020-00	12" x 18" x 26	308	457	115	3/4X16UNF	O-Ring	5/8X18UNF	O-Ring
25	BA-9023-00	12" x 21" x 26	308	553	115	3/4X16UNF	O-Ring	5/8X18UNF	O-Ring
26	BA-9026-00	12" x 23" x 26	308	584	115	3/4X16UNF	O-Ring	5/8X18UNF	O-Ring
27	BA-9021-00	14" x 18" x 26	356	457	115	3/4X16UNF	O-Ring	5/8X18UNF	O-Ring
28	BA-9024-00	14" x 21" x 26	356	553	115	3/4X16UNF	O-Ring	5/8X18UNF	O-Ring
29	BA-9027-00	14" x 23" x 26	356	584	115	3/4X16UNF	O-Ring	5/8X18UNF	O-Ring
30	BA-0005-00	14" x 23" x 26	356	584	115	3/4X16UNF	O-ring	5/8X18UNF	O-Ring
31	BA-9028-00	10" x 18" x 32	260	457	115	3/4X16UNF	O-Ring	5/8X18UNF	O-Ring
32	BA-9031-00	10" x 21" x 32	260	553	115	3/4X16UNF	O-Ring	5/8X18UNF	O-Ring
33	BA-9034-00	10" x 23" x 32	260	584	115	3/4X16UNF	O-Ring	5/8X18UNF	O-Ring
34	BA-9029-00	12" x 18" x 32	308	457	115	3/4X16UNF	O-Ring	5/8X18UNF	O-Ring
35	BA-9032-00	12" x 21" x 32	308	553	115	3/4X16UNF	O-Ring	5/8X18UNF	O-Ring
36	BA-9035-00	12" x 23" x 32	308	584	115	3/4X16UNF	O-Ring	5/8X18UNF	O-Ring
37	BA-9030-00	14" x 18" x 32	356	457	115	3/4X16UNF	O-Ring	5/8X18UNF	O-Ring
38	BA-9033-00	14" x 21" x 32	356	553	115	3/4X16UNF	O-Ring	5/8X18UNF	O-Ring
39	BA-9036-00	14" x 23" x 32	356	584	115	3/4X16UNF	O-Ring	5/8X18UNF	O-Ring
40	BA-9037-00	10" x 18" x 44	260	457	115	3/4X16UNF	O-Ring	5/8X18UNF	O-Ring
41	BA-9040-00	10" x 21" x 44	260	553	115	3/4X16UNF	O-Ring	5/8X18UNF	O-Ring
42	BA-9043-00	10" x 23" x 44	260	584	115	3/4X16UNF	O-Ring	5/8X18UNF	O-Ring
43	BA-9038-00	12" x 18" x 44	308	457	115	3/4X16UNF	O-Ring	5/8X18UNF	O-Ring
44	BA-9041-00	12" x 21" x 44	308	553	115	3/4X16UNF	O-Ring	5/8X18UNF	O-Ring
45	BA-9044-00	12" x 23" x 44	308	584	115	3/4X16UNF	O-Ring	5/8X18UNF	O-Ring
46	BA-9039-00	14" x 18" x 44	356	457	115	3/4X16UNF	O-Ring	5/8X18UNF	O-Ring
47	BA-9042-00	14" x 21" x 44	356	553	115	3/4X16UNF	O-Ring	5/8X18UNF	O-Ring
48	BA-9045-00	14" x 23" x 44	356	584	115	3/4X16UNF	O-Ring	5/8X18UNF	O-Ring
49	BA-9046-00	16" x 26" x 22	410	667	115	3/4X16UNF	O-Ring	5/8X18UNF	O-Ring



UNIVERSAL SERPENTINE CONDENSER - FLARE

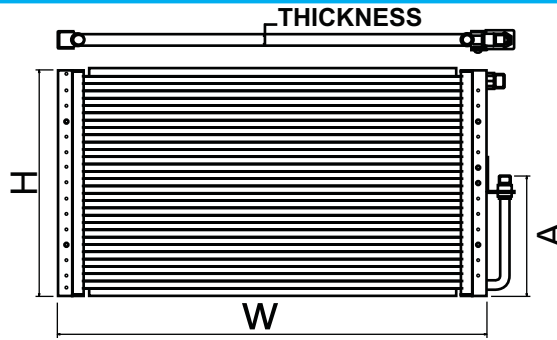
No.	AC EDGE P/No	Size (H" x W" x T mm)	Height H (mm)	Width W (mm)	Outlet A (mm)	Fitting			
						IN	Type	OUT	Type
1	BA-9001-10	10" x 18" x 19	260	457	115	3/4X16UNF	Flare	5/8X18UNF	Flare
2	BA-9004-10	10" x 21" x 19	260	553	115	3/4X16UNF	Flare	5/8X18UNF	Flare
3	BA-9007-10	10" x 23" x 19	260	584	115	3/4X16UNF	Flare	5/8X18UNF	Flare
4	BA-9002-10	12" x 18" x 19	308	457	115	3/4X16UNF	Flare	5/8X18UNF	Flare
5	BA-9005-10	12" x 21" x 19	308	553	115	3/4X16UNF	Flare	5/8X18UNF	Flare
6	BA-9008-10	12" x 23" x 19	308	584	115	3/4X16UNF	Flare	5/8X18UNF	Flare
7	BA-9003-10	14" x 18" x 19	356	457	115	3/4X16UNF	Flare	5/8X18UNF	Flare
8	BA-9006-10	14" x 21" x 19	356	553	115	3/4X16UNF	Flare	5/8X18UNF	Flare
9	BA-9009-10	14" x 23" x 19	356	584	115	3/4X16UNF	Flare	5/8X18UNF	Flare
10	BA-9010-10	10" x 18" x 22	260	457	115	3/4X16UNF	Flare	5/8X18UNF	Flare
11	BA-9013-10	10" x 21" x 22	260	553	115	3/4X16UNF	Flare	5/8X18UNF	Flare
12	BA-9016-10	10" x 23" x 22	260	584	115	3/4X16UNF	Flare	5/8X18UNF	Flare
13	BA-9011-10	12" x 18" x 22	308	457	115	3/4X16UNF	Flare	5/8X18UNF	Flare
14	BA-9014-10	12" x 21" x 22	308	553	115	3/4X16UNF	Flare	5/8X18UNF	Flare
15	BA-9017-10	12" x 23" x 22	308	584	115	3/4X16UNF	Flare	5/8X18UNF	Flare
16	BA-0007-00	12" x 21" x 22	308	553	115	3/4X16UNF	Flare	5/8X18UNF	Flare
17	BA-9012-10	14" x 18" x 22	356	457	115	3/4X16UNF	Flare	5/8X18UNF	Flare
18	BA-9015-10	14" x 21" x 22	356	553	115	3/4X16UNF	Flare	5/8X18UNF	Flare
19	BA-9018-10	14" x 23" x 22	356	584	115	3/4X16UNF	Flare	5/8X18UNF	Flare
20	BA-9019-10	10" x 18" x 26	260	457	115	3/4X16UNF	Flare	5/8X18UNF	Flare
21	BA-9022-10	10" x 21" x 26	260	553	115	3/4X16UNF	Flare	5/8X18UNF	Flare
22	BA-9025-10	10" x 23" x 26	260	584	115	3/4X16UNF	Flare	5/8X18UNF	Flare
23	BA-9020-10	12" x 18" x 26	308	457	115	3/4X16UNF	Flare	5/8X18UNF	Flare
24	BA-9023-10	12" x 21" x 26	308	553	115	3/4X16UNF	Flare	5/8X18UNF	Flare
25	BA-9026-10	12" x 23" x 26	308	584	115	3/4X16UNF	Flare	5/8X18UNF	Flare
26	BA-9021-10	14" x 18" x 26	356	457	115	3/4X16UNF	Flare	5/8X18UNF	Flare
27	BA-9024-10	14" x 21" x 26	356	553	115	3/4X16UNF	Flare	5/8X18UNF	Flare
28	BA-9027-10	14" x 23" x 26	356	584	115	3/4X16UNF	Flare	5/8X18UNF	Flare
29	BA-9028-10	10" x 18" x 32	260	457	115	3/4X16UNF	Flare	5/8X18UNF	Flare
30	BA-9031-10	10" x 21" x 32	260	553	115	3/4X16UNF	Flare	5/8X18UNF	Flare
31	BA-9034-10	10" x 23" x 32	260	584	115	3/4X16UNF	Flare	5/8X18UNF	Flare
32	BA-9029-10	12" x 18" x 32	308	457	115	3/4X16UNF	Flare	5/8X18UNF	Flare
33	BA-9032-10	12" x 21" x 32	308	553	115	3/4X16UNF	Flare	5/8X18UNF	Flare
34	BA-9035-10	12" x 23" x 32	308	584	115	3/4X16UNF	Flare	5/8X18UNF	Flare
35	BA-9030-10	14" x 18" x 32	356	457	115	3/4X16UNF	Flare	5/8X18UNF	Flare
36	BA-9033-10	14" x 21" x 32	356	553	115	3/4X16UNF	Flare	5/8X18UNF	Flare
37	BA-9036-10	14" x 23" x 32	356	584	115	3/4X16UNF	Flare	5/8X18UNF	Flare
38	BA-9037-10	10" x 18" x 44	260	457	115	3/4X16UNF	Flare	5/8X18UNF	Flare
39	BA-9040-10	10" x 21" x 44	260	553	115	3/4X16UNF	Flare	5/8X18UNF	Flare
40	BA-9043-10	10" x 23" x 44	260	584	115	3/4X16UNF	Flare	5/8X18UNF	Flare
41	BA-9038-10	12" x 18" x 44	308	457	115	3/4X16UNF	Flare	5/8X18UNF	Flare
42	BA-9041-10	12" x 21" x 44	308	553	115	3/4X16UNF	Flare	5/8X18UNF	Flare
43	BA-9044-10	12" x 23" x 44	308	584	115	3/4X16UNF	Flare	5/8X18UNF	Flare
44	BA-9039-10	14" x 18" x 44	356	457	115	3/4X16UNF	Flare	5/8X18UNF	Flare
45	BA-9042-10	14" x 21" x 44	356	553	115	3/4X16UNF	Flare	5/8X18UNF	Flare
46	BA-9045-10	14" x 23" x 44	356	584	115	3/4X16UNF	Flare	5/8X18UNF	Flare
47	BA-9046-10	16" x 26" x 22	410	667	115	3/4X16UNF	Flare	5/8X18UNF	Flare

A A COMPRESSOR
 B A CONDENSER
 C A EVAPORATOR
 D A RECEIVER DRIER
 E A EXPANSION VALVE
 F A CABIN FILTER
 G A MOTOR
 H A HOSES
 I A THERMOSTAT
 J A BLOWER
 K A AC / DC FAN
 L A REFRIGERANT GAS
 M A FITTING
 N A FERRULE
 O A ACCESSORIES



UNIVERSAL PARALLEL CONDENSER - ORING

No.	AC EDGE P/No	Size (H" x W" x T mm)	Height H (mm)	Width W (mm)	Outlet A (mm)	Fitting			
						IN	Type	OUT	Type
1	BA-9001-01	10" x 18" x 19 mm	260	457	115	3/4X16UNF	O-Ring	5/8X18UNF	O-Ring
2	BA-9004-01	10" x 21" x 19 mm	260	553	115	3/4X16UNF	O-Ring	5/8X18UNF	O-Ring
3	BA-9007-01	10" x 23" x 19 mm	260	584	115	3/4X16UNF	O-Ring	5/8X18UNF	O-Ring
4	BA-9002-01	12" x 18" x 19 mm	308	457	115	3/4X16UNF	O-Ring	5/8X18UNF	O-Ring
5	BA-9005-01	12" x 21" x 19 mm	308	553	115	3/4X16UNF	O-Ring	5/8X18UNF	O-Ring
6	BA-9008-01	12" x 23" x 19 mm	308	584	115	3/4X16UNF	O-Ring	5/8X18UNF	O-Ring
7	BA-9003-01	14" x 18" x 19 mm	356	457	115	3/4X16UNF	O-Ring	5/8X18UNF	O-Ring
8	BA-9006-01	14" x 21" x 19 mm	356	553	115	3/4X16UNF	O-Ring	5/8X18UNF	O-Ring
9	BA-9009-01	14" x 23" x 19 mm	356	584	115	3/4X16UNF	O-Ring	5/8X18UNF	O-Ring
10	BA-9010-01	10" x 18" x 22 mm	260	457	115	3/4X16UNF	O-Ring	5/8X18UNF	O-Ring
11	BA-9013-01	10" x 21" x 22 mm	260	553	115	3/4X16UNF	O-Ring	5/8X18UNF	O-Ring
12	BA-9016-01	10" x 23" x 22 mm	260	584	115	3/4X16UNF	O-Ring	5/8X18UNF	O-Ring
13	BA-9011-01	12" x 18" x 22 mm	308	457	115	3/4X16UNF	O-Ring	5/8X18UNF	O-Ring
14	BA-9014-01	12" x 21" x 22 mm	308	553	115	3/4X16UNF	O-Ring	5/8X18UNF	O-Ring
15	BA-9017-01	12" x 23" x 22 mm	308	584	115	3/4X16UNF	O-Ring	5/8X18UNF	O-Ring
16	BA-9012-01	14" x 18" x 22 mm	356	457	115	3/4X16UNF	O-Ring	5/8X18UNF	O-Ring
17	BA-9015-01	14" x 21" x 22 mm	356	553	115	3/4X16UNF	O-Ring	5/8X18UNF	O-Ring
18	BA-9018-01	14" x 23" x 22 mm	356	584	115	3/4X16UNF	O-Ring	5/8X18UNF	O-Ring
19	BA-9019-01	10" x 18" x 26 mm	260	457	115	3/4X16UNF	O-Ring	5/8X18UNF	O-Ring
20	BA-9022-01	10" x 21" x 26 mm	260	553	115	3/4X16UNF	O-Ring	5/8X18UNF	O-Ring
21	BA-9025-01	10" x 23" x 26 mm	260	584	115	3/4X16UNF	O-Ring	5/8X18UNF	O-Ring
22	BA-9020-01	12" x 18" x 26 mm	308	457	115	3/4X16UNF	O-Ring	5/8X18UNF	O-Ring
23	BA-9023-01	12" x 21" x 26 mm	308	553	115	3/4X16UNF	O-Ring	5/8X18UNF	O-Ring
24	BA-9026-01	12" x 23" x 26 mm	308	584	115	3/4X16UNF	O-Ring	5/8X18UNF	O-Ring
25	BA-9021-01	14" x 18" x 26 mm	356	457	115	3/4X16UNF	O-Ring	5/8X18UNF	O-Ring
26	BA-9024-01	14" x 21" x 26 mm	356	553	115	3/4X16UNF	O-Ring	5/8X18UNF	O-Ring
27	BA-9027-01	14" x 23" x 26 mm	356	584	115	3/4X16UNF	O-Ring	5/8X18UNF	O-Ring
28	BA-9028-01	10" x 18" x 32 mm	260	457	115	3/4X16UNF	O-Ring	5/8X18UNF	O-Ring
29	BA-9031-01	10" x 21" x 32 mm	260	553	115	3/4X16UNF	O-Ring	5/8X18UNF	O-Ring
30	BA-9034-01	10" x 23" x 32 mm	260	584	115	3/4X16UNF	O-Ring	5/8X18UNF	O-Ring
31	BA-9029-01	12" x 18" x 32 mm	308	457	115	3/4X16UNF	O-Ring	5/8X18UNF	O-Ring
32	BA-9032-01	12" x 21" x 32 mm	308	553	115	3/4X16UNF	O-Ring	5/8X18UNF	O-Ring
33	BA-9035-01	12" x 23" x 32 mm	308	584	115	3/4X16UNF	O-Ring	5/8X18UNF	O-Ring
34	BA-9030-01	14" x 18" x 32 mm	356	457	115	3/4X16UNF	O-Ring	5/8X18UNF	O-Ring
35	BA-9033-01	14" x 21" x 32 mm	356	553	115	3/4X16UNF	O-Ring	5/8X18UNF	O-Ring
36	BA-9036-01	14" x 23" x 32 mm	356	584	115	3/4X16UNF	O-Ring	5/8X18UNF	O-Ring
37	BA-9037-01	10" x 18" x 44 mm	260	457	115	3/4X16UNF	O-Ring	5/8X18UNF	O-Ring
38	BA-9040-01	10" x 21" x 44 mm	260	553	115	3/4X16UNF	O-Ring	5/8X18UNF	O-Ring
39	BA-9043-01	10" x 23" x 44 mm	260	584	115	3/4X16UNF	O-Ring	5/8X18UNF	O-Ring
40	BA-9038-01	12" x 18" x 44 mm	308	457	115	3/4X16UNF	O-Ring	5/8X18UNF	O-Ring
41	BA-9041-01	12" x 21" x 44 mm	308	553	115	3/4X16UNF	O-Ring	5/8X18UNF	O-Ring
42	BA-9044-01	12" x 23" x 44 mm	308	584	115	3/4X16UNF	O-Ring	5/8X18UNF	O-Ring
43	BA-9039-01	14" x 18" x 44 mm	356	457	115	3/4X16UNF	O-Ring	5/8X18UNF	O-Ring
44	BA-9042-01	14" x 21" x 44 mm	356	553	115	3/4X16UNF	O-Ring	5/8X18UNF	O-Ring
45	BA-9045-01	14" x 23" x 44 mm	356	584	115	3/4X16UNF	O-Ring	5/8X18UNF	O-Ring
46	BA-9046-01	16" x 26" x 22 mm	410	667	115	3/4X16UNF	O-Ring	5/8X18UNF	O-Ring



UNIVERSAL PARALLEL CONDENSER - FLARE

No.	AC EDGE P/No	Size (H" x W" x T mm)	Height H (mm)	Width W (mm)	Outlet A (mm)	Fitting			
						IN	Type	OUT	Type
1	BA-9001-11	10" x 18" x 19	260	457	115	3/4X16UNF	Flare	5/8X18UNF	Flare
2	BA-9002-11	12" x 18" x 19	308	457	115	3/4X16UNF	Flare	5/8X18UNF	Flare
3	BA-9003-11	14" x 18" x 19	356	457	115	3/4X16UNF	Flare	5/8X18UNF	Flare
4	BA-9004-11	10" x 21" x 19	260	553	115	3/4X16UNF	Flare	5/8X18UNF	Flare
5	BA-9005-11	12" x 21" x 19	308	553	115	3/4X16UNF	Flare	5/8X18UNF	Flare
6	BA-9006-11	14" x 21" x 19	356	553	115	3/4X16UNF	Flare	5/8X18UNF	Flare
7	BA-9007-11	10" x 23" x 19	260	584	115	3/4X16UNF	Flare	5/8X18UNF	Flare
8	BA-9008-11	12" x 23" x 19	308	584	115	3/4X16UNF	Flare	5/8X18UNF	Flare
9	BA-9009-11	14" x 23" x 19	356	584	115	3/4X16UNF	Flare	5/8X18UNF	Flare
10	BA-9010-11	10" x 18" x 22	260	457	115	3/4X16UNF	Flare	5/8X18UNF	Flare
11	BA-9011-11	12" x 18" x 22	308	457	115	3/4X16UNF	Flare	5/8X18UNF	Flare
12	BA-9012-11	14" x 18" x 22	356	457	115	3/4X16UNF	Flare	5/8X18UNF	Flare
13	BA-9013-11	10" x 21" x 22	260	553	115	3/4X16UNF	Flare	5/8X18UNF	Flare
14	BA-9014-11	12" x 21" x 22	308	553	115	3/4X16UNF	Flare	5/8X18UNF	Flare
15	BA-9015-11	14" x 21" x 22	356	553	115	3/4X16UNF	Flare	5/8X18UNF	Flare
16	BA-9016-11	10" x 23" x 22	260	584	115	3/4X16UNF	Flare	5/8X18UNF	Flare
17	BA-9017-11	12" x 23" x 22	308	584	115	3/4X16UNF	Flare	5/8X18UNF	Flare
18	BA-9018-11	14" x 23" x 22	356	584	115	3/4X16UNF	Flare	5/8X18UNF	Flare
19	BA-9046-11	16" x 26" x 22	410	667	115	3/4X16UNF	Flare	5/8X18UNF	Flare
20	BA-9019-11	10" x 18" x 26	260	457	115	3/4X16UNF	Flare	5/8X18UNF	Flare
21	BA-9020-11	12" x 18" x 26	308	457	115	3/4X16UNF	Flare	5/8X18UNF	Flare
22	BA-9021-11	14" x 18" x 26	356	457	115	3/4X16UNF	Flare	5/8X18UNF	Flare
23	BA-9022-11	10" x 21" x 26	260	553	115	3/4X16UNF	Flare	5/8X18UNF	Flare
24	BA-9023-11	12" x 21" x 26	308	553	115	3/4X16UNF	Flare	5/8X18UNF	Flare
25	BA-9024-11	14" x 21" x 26	356	553	115	3/4X16UNF	Flare	5/8X18UNF	Flare
26	BA-9025-11	10" x 23" x 26	260	584	115	3/4X16UNF	Flare	5/8X18UNF	Flare
27	BA-9026-11	12" x 23" x 26	308	584	115	3/4X16UNF	Flare	5/8X18UNF	Flare
28	BA-9027-11	14" x 23" x 26	356	584	115	3/4X16UNF	Flare	5/8X18UNF	Flare
29	BA-9028-11	10" x 18" x 32	260	457	115	3/4X16UNF	Flare	5/8X18UNF	Flare
30	BA-9029-11	12" x 18" x 32	308	457	115	3/4X16UNF	Flare	5/8X18UNF	Flare
31	BA-9030-11	14" x 18" x 32	356	457	115	3/4X16UNF	Flare	5/8X18UNF	Flare
32	BA-9031-11	10" x 21" x 32	260	553	115	3/4X16UNF	Flare	5/8X18UNF	Flare
33	BA-9032-11	12" x 21" x 32	308	553	115	3/4X16UNF	Flare	5/8X18UNF	Flare
34	BA-9033-11	14" x 21" x 32	356	553	115	3/4X16UNF	Flare	5/8X18UNF	Flare
35	BA-9034-11	10" x 23" x 32	260	584	115	3/4X16UNF	Flare	5/8X18UNF	Flare
36	BA-9035-11	12" x 23" x 32	308	584	115	3/4X16UNF	Flare	5/8X18UNF	Flare
37	BA-9036-11	14" x 23" x 32	356	584	115	3/4X16UNF	Flare	5/8X18UNF	Flare
38	BA-9037-11	10" x 18" x 44	260	457	115	3/4X16UNF	Flare	5/8X18UNF	Flare
39	BA-9038-11	12" x 18" x 44	308	457	115	3/4X16UNF	Flare	5/8X18UNF	Flare
40	BA-9039-11	14" x 18" x 44	356	457	115	3/4X16UNF	Flare	5/8X18UNF	Flare
41	BA-9040-11	10" x 21" x 44	260	553	115	3/4X16UNF	Flare	5/8X18UNF	Flare
42	BA-9041-11	12" x 21" x 44	308	553	115	3/4X16UNF	Flare	5/8X18UNF	Flare
43	BA-9042-11	14" x 21" x 44	356	553	115	3/4X16UNF	Flare	5/8X18UNF	Flare
44	BA-9043-11	10" x 23" x 44	260	584	115	3/4X16UNF	Flare	5/8X18UNF	Flare
45	BA-9044-11	12" x 23" x 44	308	584	115	3/4X16UNF	Flare	5/8X18UNF	Flare
46	BA-9045-11	14" x 23" x 44	356	584	115	3/4X16UNF	Flare	5/8X18UNF	Flare

A A COMPRESSOR
 B A CONDENSER
 C A EVAPORATOR
 D A RECEIVER DRIER
 E A EXPANSION VALVE
 F A CABIN FILTER
 G A MOTOR
 H A HOSES
 I A THERMOSTAT
 J A BLOWER
 K A AC / DC FAN
 L A REFRIGERANT GAS
 M A FITTING
 N A FERRULE
 O A ACCESSORIES

A
A
COMPRESSOR

B
A
CONDENSER

C
A
EVAPORATOR

D
A
RECEIVER DRIER

E
A
EXPANSION VALVE

F
A
CABIN FILTER

G
A
MOTOR

H
A
HOSES

I
A
THERMOSTAT

J
A
BLOWER

K
A
AC / DC FAN

L
A
REFRIGERANT GAS

M
A
FITTING

N
A
FERRULE

O
A
ACCESSORIES



ACURA	BA-2152-00
L X H X T (mm)	687 X 350 X 16
INLET	
OUTLET	
OE REF.	80110-SEP-A01
APPLICATION	TL '04-07



ACURA	BA-2153-00
L X H X T (mm)	650 X 345 X 16
INLET	
OUTLET	
OE REF.	
APPLICATION	RSX '08



ACURA	BA-2162-00
L X H X T (mm)	698 X 382 X 16
INLET	
OUTLET	
OE REF.	80110-SEA-003 80110-SEA-013
APPLICATION	ACURA TSX/ACCORD CL7 '04-07



ALFA ROMEO	BA-2159-00
L X H X T (mm)	610 X 340 X 16
INLET	
OUTLET	
OE REF.	46768973
APPLICATION	147 1.6 16V

ALFA ROMEO	BA-2226-00
L X H X T (mm)	574 X 346 X 16
INLET	
OUTLET	
OE REF.	60628820/46790658
	46842842
APPLICATION	147 1.9TD

A
A
A
COMPRESSOR

B
A
CONDENSER

C
A
EVAPORATOR

D
A
RECEIVER DRIER

E
A
EXPANSION VALVE

F
A
CABIN FILTER

G
A
MOTOR

H
A
HOSES

I
A
THERMOSTAT

J
A
BLOWER

K
A
AC / DC FAN

L
A
REFRIGERANT GAS

M
A
FITTING

N
A
FERRULE

O
A
ACCESSORIES

A
A
COMPRESSOR

B
A
CONDENSER

C
A
EVAPORATOR

D
A
RECEIVER DRIER

E
A
EXPANSION VALVE

F
A
CABIN FILTER

G
A
MOTOR

H
A
HOSES

I
A
THERMOSTAT

J
A
BLOWER

K
A
AC / DC FAN

L
A
REFRIGERANT GAS

M
A
FITTING

N
A
FERRULE

O
A
ACCESSORIES



AUDI	BA-2237-00
L X H X T (mm)	641 X 419 X 20
INLET	
OUTLET	
OE REF.	
APPLICATION	AUDI A4 (16/20MM)

AUDI	BA-2238-00
L X H X T (mm)	590 X 386 X 20
INLET	
OUTLET	
OE REF.	4A0260401AB / AC, 4A0260403AB / AC,
APPLICATION	AUDI A6 '94-97



BMW	BA-1706-00
L X H X T (mm)	566 X 420 X 16
INLET	
OUTLET	
OE REF.	64538377614
APPLICATION	BMW 3 E46 '98

BMW	BA-1709-00
L X H X T (mm)	498 X 428 X 18
INLET	
OUTLET	
OE REF.	64538378438
APPLICATION	BMW 5 E39 R134 '97

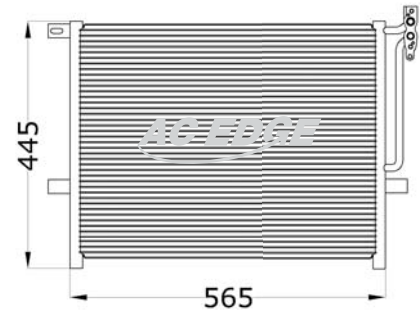
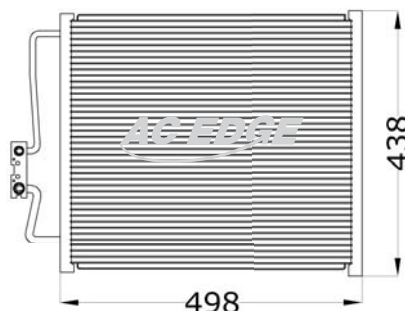
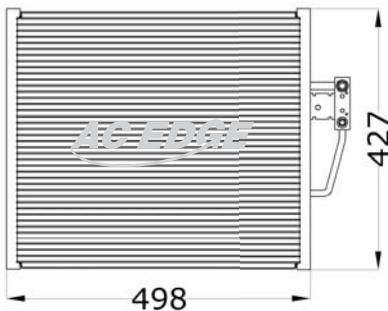
BMW	BA-2199-00
L X H X T (mm)	520 X 434 X 16
INLET	
OUTLET	
OE REF.	6453.8.391.126 9453.8.373.924
APPLICATION	BMW E38 7 SERIES R12 '94-97



BMW	BA-2200-00
L X H X T (mm)	480 X 420 X 16
INLET	
OUTLET	
OE REF.	6453.8.391.647
APPLICATION	BMW E39 5 SERIES R12 '94-97

BMW	BA-2201-00
L X H X T (mm)	500 X 420 X 16
INLET	
OUTLET	
OE REF.	6453.8.391.647
APPLICATION	BMW E39 5 SERIES R134A '94-97

BMW	BA-2202-00
L X H X T (mm)	567 X 420 X 16
INLET	
OUTLET	
OE REF.	6453.8.377.614
APPLICATION	BMW E46 3 SERIES - PETROL '99-05



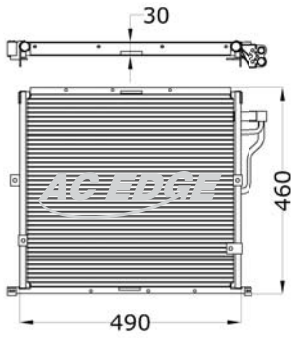
BMW	BA-2700-RL
L X H X T (mm)	498 X 427 X
INLET	
OUTLET	
OE REF.	64 538 391647
APPLICATION	BMW E39 R12

BMW	BA-2701-RL
L X H X T (mm)	498 X 438 X
INLET	
OUTLET	
OE REF.	64 538 373924
APPLICATION	BMW E38

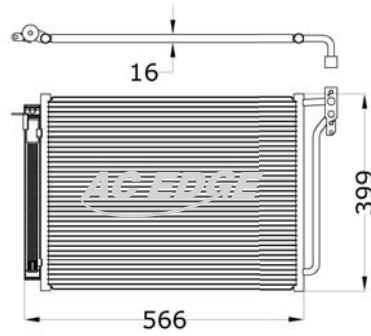
BMW	BA-2702-RL
L X H X T (mm)	565 X 445 X
INLET	
OUTLET	
OE REF.	64 538 377614
APPLICATION	BMW E46

A
A
A
COMPRESSOR
B
A
CONDENSER
C
A
EVAPORATOR
D
A
RECEIVER DRIER
E
A
EXPANSION VALVE
F
A
CABIN FILTER
G
A
MOTOR
H
A
HOSES
I
A
THERMOSTAT
J
A
BLOWER
K
A
AC / DC FAN
L
A
REFRIGERANT GAS
M
A
FITTING
N
A
FERRULE
O
A
ACCESSORIES

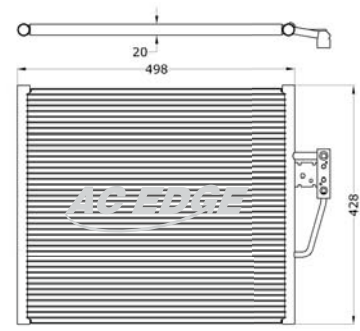
A
A
COMPRESSOR
B
A
CONDENSER
C
A
EVAPORATOR
D
A
RECEIVER DRIER
E
A
EXPANSION VALVE
F
A
CABIN FILTER
G
A
MOTOR
H
A
HOSES
I
A
THERMOSTAT
J
A
BLOWER
K
A
AC / DC FAN
L
A
REFRIGERANT GAS
M
A
FITTING
N
A
FERRULE
O
A
ACCESSORIES



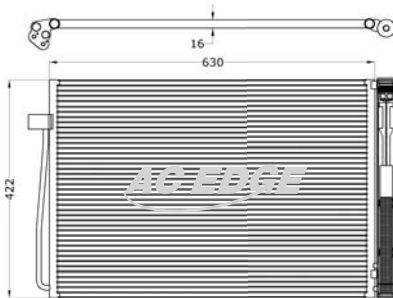
BMW	BA-2703-RH
L X H X T (mm)	490 X 460 X 30
INLET	
OUTLET	
OE REF.	64 538 369105
APPLICATION	BMW E36 FL



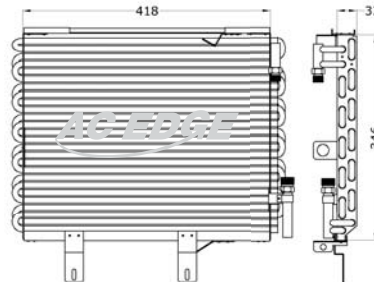
BMW	BA-2704-LH
L X H X T (mm)	566 X 399 X 16
INLET	
OUTLET	
OE REF.	64 536 914216 / 64 538 381543
APPLICATION	BMW X5 FL W. R/D



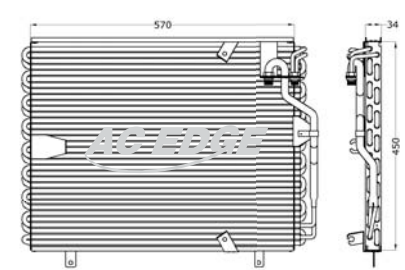
BMW	BA-2705-RL
L X H X T (mm)	498 X 428 X 20
INLET	
OUTLET	
OE REF.	
APPLICATION	BMW E39 R134a



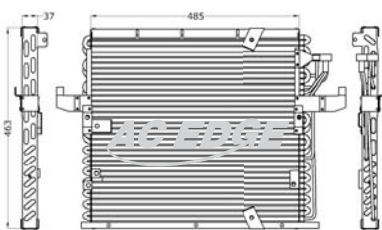
BMW	BA-2706-RL
L X H X T (mm)	630 X 422 X 16
INLET	
OUTLET	
OE REF.	6450 2282939-01
APPLICATION	BMW E60/E65 FL W. R/D



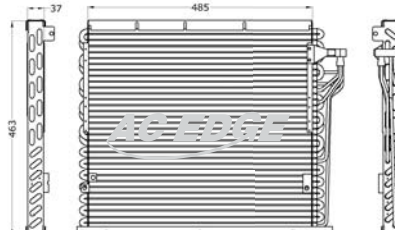
BMW	BA-2707-RL
L X H X T (mm)	418 X 346 X 33
INLET	
OUTLET	
OE REF.	64 531 375205
APPLICATION	BMW E30 8mm AL COND



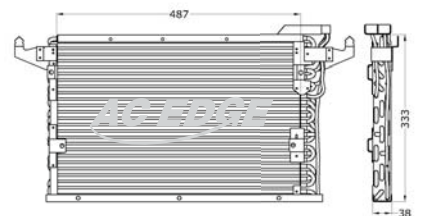
BMW	BA-2708-RL
L X H X T (mm)	570 X 450 X 34
INLET	
OUTLET	
OE REF.	64 538 390956 64 538 391316
APPLICATION	BMW E34 8mm AL COND



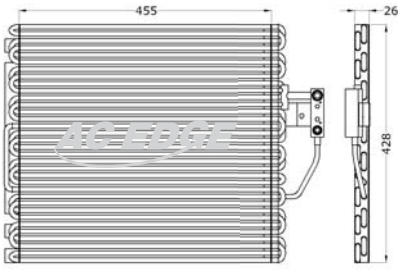
BMW	BA-2709-RL
L X H X T (mm)	485 X 463 X 37
INLET	
OUTLET	
OE REF.	64 531 385165
APPLICATION	BMW E36 8mm AL COND



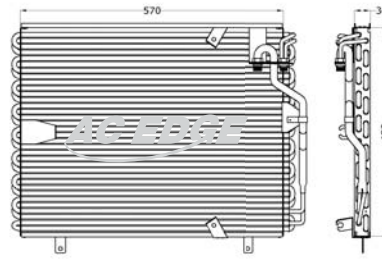
BMW	BA-2711-RL
L X H X T (mm)	485 X 463 X 37
INLET	
OUTLET	
OE REF.	
APPLICATION	BMW E36 '92 - '96 9.53mm AL COND



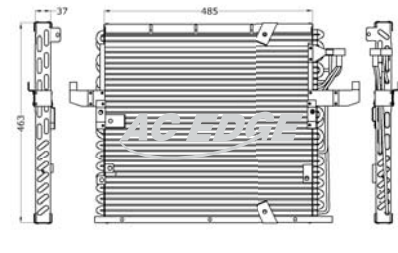
BMW	BA-2712-RL
L X H X T (mm)	487 X 333 X 38
INLET	
OUTLET	
OE REF.	
APPLICATION	BMW E36 M3 (SPORT) 8mm AL COND



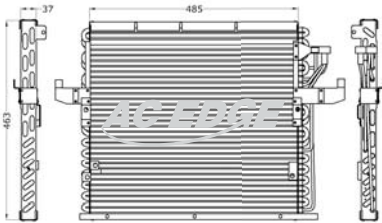
BMW	BA-2713-RL
L X H X T (mm)	455 X 428 X 26
INLET	
OUTLET	
OE REF.	64 538 391647
APPLICATION	BMW E39 8mm AL COND



BMW	BA-2714-RL
L X H X T (mm)	570 X 450 X 34
INLET	
OUTLET	
OE REF.	
APPLICATION	BMW E34 OR 9.53mm CU COND



BMW	BA-2715-RL
L X H X T (mm)	485 X 463 X 37
INLET	
OUTLET	
OE REF.	
APPLICATION	BMW E36 FL 9.53MM CU COND



BMW	BA-2716-RL
L X H X T (mm)	485 X 463 X 37
INLET	
OUTLET	
OE REF.	
APPLICATION	BMW E36 8mm AL COND (WITHOUT 3 BRACKETS)

Picture Unavailable

BMW	BA-1018-PF
L X H X T (mm)	X X
INLET	
OUTLET	
OE REF.	
APPLICATION	BMW E38 7 SERIES NEW ND '97 R134a PFC

Picture Unavailable

BMW	BA-2285-00
L X H X T (mm)	X X
INLET	
OUTLET	
OE REF.	
APPLICATION	BMW E60

A
A
A
COMPRESSOR

B
A
CONDENSER

C
A
EVAPORATOR

D
A
RECEIVER DRIER

E
A
EXPANSION VALVE

F
A
CABIN FILTER

G
A
MOTOR

H
A
HOSES

I
A
THERMOSTAT

J
A
BLOWER

K
A
AC / DC FAN

L
A
REFRIGERANT GAS

M
A
FITTING

N
A
FERRULE

O
A
ACCESSORIES



BUICK	BA-2154-00
L X H X T (mm)	784 X 377 X 16
INLET	
OUTLET	
OE REF.	10326269/10420262 10430003/10339103
APPLICATION	BUICK RENDEZVOUS (04 - 07 3.4L) '02-07

BUICK	BA-2174-00
L X H X T (mm)	663 X 284 X 20
INLET	
OUTLET	
OE REF.	
APPLICATION	BUICK SAIL

BUICK	BA-2176-00
L X H X T (mm)	645 X 390 X 16
INLET	
OUTLET	
OE REF.	
APPLICATION	BUICK EXCELLE

Picture
 Unavailable

BMW	BA-2271-00
L X H X T (mm)	X X
INLET	
OUTLET	
OE REF.	
APPLICATION	CHERY

A	COMPRESSOR
B	CONDENSER
C	EVAPORATOR
D	RECEIVER DRIER
E	EXPANSION VALVE
F	CABIN FILTER
G	MOTOR
H	HOSES
I	THERMOSTAT
J	BLOWER
K	AC / DC FAN
L	REFRIGERANT GAS
M	FITTING
N	FERRULE
O	ACCESSORIES

A
A
A
COMPRESSOR

B
A
CONDENSER

C
A
EVAPORATOR

D
A
RECEIVER DRIER

E
A
EXPANSION VALVE

F
A
CABIN FILTER

G
A
MOTOR

H
A
HOSES

I
A
THERMOSTAT

J
A
BLOWER

K
A
AC / DC FAN

L
A
REFRIGERANT GAS

M
A
FITTING

N
A
FERRULE

O
A
ACCESSORIES



CHRYSLER BA-2170-00	
L X H X T (mm)	794 X 432 X 20
INLET	
OUTLET	
OE REF.	4809227AD / 4809267AC
APPLICATION	TOWN AND COUNTRY/ VOYAGE/CARAVAN '01-04

CHRYSLER BA-2171-00	
L X H X T (mm)	750 X 430 X 20
INLET	
OUTLET	
OE REF.	
APPLICATION	TOWN AND COUNTRY '05-06



FIAT	BA-2160-00
L X H X T (mm)	611 X 320 X 16
INLET	
OUTLET	
OE REF.	
APPLICATION	

A	COMPRESSOR
B	CONDENSER
C	EVAPORATOR
D	RECEIVER DRIER
E	EXPANSION VALVE
F	CABIN FILTER
G	MOTOR
H	HOSES
I	THERMOSTAT
J	BLOWER
K	AC / DC FAN
L	REFRIGERANT GAS
M	FITTING
N	FERRULE
O	ACCESSORIES

A
A
A
COMPRESSOR

B
A
CONDENSER

C
A
EVAPORATOR

D
A
RECEIVER DRIER

E
A
EXPANSION VALVE

F
A
CABIN FILTER

G
A
MOTOR

H
A
HOSES

I
A
THERMOSTAT

J
A
BLOWER

K
A
AC / DC FAN

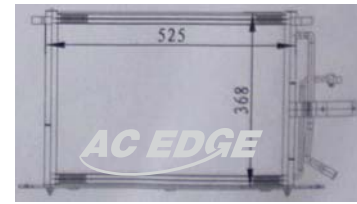
L
A
REFRIGERANT GAS

M
A
FITTING

N
A
FERRULE

O
A
ACCESSORIES

Picture
Unavailable



FORD	BA-2305-00
L X H X T (mm)	X X
INLET	
OUTLET	
OE REF.	
APPLICATION	FORD

FORD	BA-2188-00
L X H X T (mm)	
INLET	
OUTLET	
OE REF.	UM65 61 480A
APPLICATION	RANGER N/M '04-05

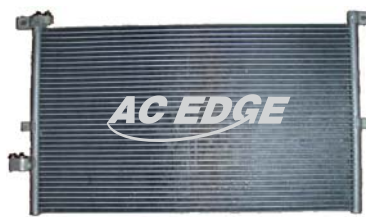
FORD	BA-2189-00
L X H X T (mm)	525 X 368 X 20
INLET	
OUTLET	
OE REF.	
APPLICATION	FORD FIESTA



FORD	BA-2190-00
L X H X T (mm)	632 X 378 X 16
INLET	
OUTLET	
OE REF.	
APPLICATION	FORD FALCON

FORD	BA-2209-00
L X H X T (mm)	670 X 356 X 16
INLET	
OUTLET	
OE REF.	XS4Z-19712-AB YS4Z-19712-AB
APPLICATION	FORD FOCUS TO 3/16/05 '00-05

FORD	BA-2187-00
L X H X T (mm)	526 X 310 X 20
INLET	
OUTLET	
OE REF.	F57Z19712A
APPLICATION	FORD RANGER O/M '98-'01



FORD	BA-2175-00
L X H X T (mm)	670 X 361 X 16
INLET	
OUTLET	
OE REF.	1S7H-19710AC 1S7H-19710AC
APPLICATION	FORD MONDEO

FORD	BA-2177-00
L X H X T (mm)	665 X 377 X 16
INLET	
OUTLET	
OE REF.	4S71-19E908-AA
APPLICATION	FORD MONDEO 2.0 '03

FORD	BA-2178-00
L X H X T (mm)	671 X 440.5 X 16
INLET	
OUTLET	
OE REF.	
APPLICATION	FORD MONDEO 2.5 '00



FORD	BA-2179-00
L X H X T (mm)	701 X 350 X 16
INLET	
OUTLET	
OE REF.	98VW19710AB
APPLICATION	FORD TRANSIT

FORD	BA-2186-00
L X H X T (mm)	580 X 356 X 16
INLET	
OUTLET	
OE REF.	1254203
APPLICATION	FORD FIESTA '02

A
A
A
COMPRESSOR

B
A
CONDENSER

C
A
EVAPORATOR

D
A
RECEIVER DRIER

E
A
EXPANSION VALVE

F
A
CABIN FILTER

G
A
MOTOR

H
A
HOSES

I
A
THERMOSTAT

J
A
BLOWER

K
A
AC / DC FAN

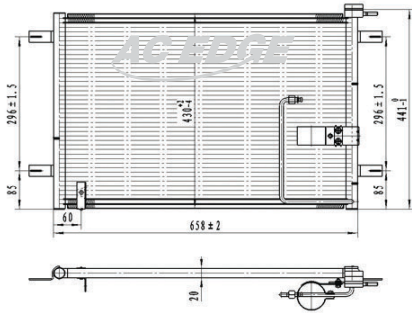
L
A
REFRIGERANT GAS

M
A
FITTING

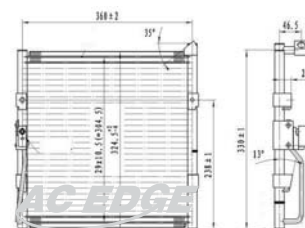
N
A
FERRULE

O
A
ACCESSORIES

A
A
COMPRESSOR
B
A
CONDENSER
C
A
EVAPORATOR
D
A
RECEIVER DRIER
E
A
EXPANSION VALVE
F
A
CABIN FILTER
G
A
MOTOR
H
A
HOSES
I
A
THERMOSTAT
J
A
BLOWER
K
A
AC / DC FAN
L
A
REFRIGERANT GAS
M
A
FITTING
N
A
FERRULE
O
A
ACCESSORIES



HOLDEN BA-2244-00	
L X H X T (mm)	658 X 430 X 16
INLET	
OUTLET	
OE REF.	
APPLICATION	COMMODORE



HONDA	BA-2084-00
L X H X T (mm)	380 X 324 X 16
INLET	
OUTLET	
OE REF.	80110-SR1-A22 80110-SRA-A23
APPLICATION	CIVIC EG8 R134A CIVIC DEL S0L

HONDA	BA-2085-00
L X H X T (mm)	380 X 324 X 16
INLET	
OUTLET	
OE REF.	80110-SR1-A23
APPLICATION	CIVIC R12 CIVIC DEL S0L

HONDA	BA-2086-00
L X H X T (mm)	380 X 324 X 16
INLET	
OUTLET	
OE REF.	
APPLICATION	CIVIC R12



HONDA	BA-2087-00
L X H X T (mm)	380 X 356 X 16
INLET	
OUTLET	
OE REF.	80110-S01-A11 80110-S04-003
APPLICATION	CIVIC EK3

HONDA	BA-2088-00
L X H X T (mm)	650 X 356 X 16
INLET	
OUTLET	
OE REF.	80110-S84-A00/80110-SOA-003 80110-S87-A21/80110-S87-A00
APPLICATION	ACCORD '98-02

HONDA	BA-2089-00
L X H X T (mm)	536 X 314 X 16
INLET	
OUTLET	
OE REF.	
APPLICATION	CIVIC



HONDA	BA-2090-00
L X H X T (mm)	625 X 424 X 16
INLET	
OUTLET	
OE REF.	80110-SX0-003
APPLICATION	LEGEND '94-99

HONDA	BA-2091-00
L X H X T (mm)	648 X 353 X 16
INLET	
OUTLET	
OE REF.	80110-S86-K21
APPLICATION	ACCORD CG5 '98-00

HONDA	BA-2092-00
L X H X T (mm)	650 X 256 X 16
INLET	
OUTLET	
OE REF.	80110-S86-K21 80110-S86-K21
APPLICATION	CIVIC ES '01-03

A
A
A
COMPRESSOR

B
A
CONDENSER

C
A
EVAPORATOR

D
A
RECEIVER DRIER

E
A
EXPANSION VALVE

F
A
CABIN FILTER

G
A
MOTOR

H
A
HOSES

I
A
THERMOSTAT

J
A
BLOWER

K
A
AC / DC FAN

L
A
REFRIGERANT GAS

M
A
FITTING

N
A
FERRULE

O
A
ACCESSORIES



HONDA	BA-2093-00
L X H X T (mm)	648 X 350 X 16
INLET	
OUTLET	
OE REF.	
APPLICATION	CIVIC



HONDA	BA-2094-00
L X H X T (mm)	650 X 356 X 16
INLET	
OUTLET	
OE REF.	80100-S87-A00
APPLICATION	ACCORD SEDAN / COUPE / CALSONIC



HONDA	BA-2095-00
L X H X T (mm)	745 X 399 X 16
INLET	
OUTLET	
OE REF.	
APPLICATION	ODESSEY '05-06



HONDA	BA-2096-00
L X H X T (mm)	602 X 314 X 16
INLET	
OUTLET	
OE REF.	80110-S10-003/80110-ST7-21 80110-ST7-003
APPLICATION	CRV '97-01



HONDA	BA-2097-00
L X H X T (mm)	715 X 374 X 16
INLET	
OUTLET	
OE REF.	80110-SEM-M02
APPLICATION	FIT SEDAN



HONDA	BA-2098-00
L X H X T (mm)	600 X 314 X 16
INLET	
OUTLET	
OE REF.	80110-SS8-A21
APPLICATION	ACCORD V6



HONDA	BA-2099-00
L X H X T (mm)	650 X 314 X 16
INLET	
OUTLET	
OE REF.	80110-S30-003
APPLICATION	PRELUDE/S2000 '97-01/ '00-03



HONDA	BA-2100-00
L X H X T (mm)	755 X 321 X 16
INLET	
OUTLET	
OE REF.	80110-SAA-013
APPLICATION	FIT / JAZZ '07-08 FIT/JAZZ(HATCHBACK)'07-08



HONDA	BA-2101-00
L X H X T (mm)	697 X 385 X 16
INLET	
OUTLET	
OE REF.	80110-S9A-003 80110-SCV-A01
APPLICATION	CRV '02-05 CRV (RD-2003) '02-05



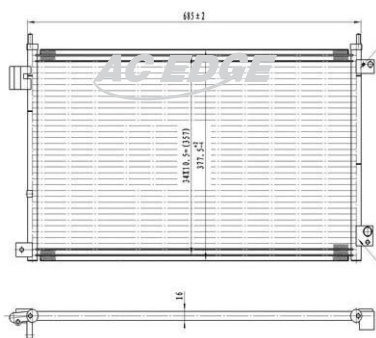
HONDA	BA-2102-00
L X H X T (mm)	673 X 388 X 16
INLET	
OUTLET	
OE REF.	80110-SNA-A41 80110-SNA-A01
APPLICATION	CIVIC EX/DX/LX SEDAN '06-07



HONDA	BA-2103-00
L X H X T (mm)	714 X 356 X 16
INLET	
OUTLET	
OE REF.	
APPLICATION	HONDA



HONDA	BA-2104-00
L X H X T (mm)	685 X 377 X 16
INLET	
OUTLET	
OE REF.	80110-SDA-A01/80110-SDA-A02 80110-SDC-A02/80110-SDB-A61 80110-SDB-A62
APPLICATION	ACCORD SEDAN V6 / L4 '03-07



HONDA	BA-2105-00
L X H X T (mm)	685 X 377.5 X 16
INLET	
OUTLET	
OE REF.	
APPLICATION	



HONDA	BA-2106-00
L X H X T (mm)	610 X 330 X 16
INLET	
OUTLET	
OE REF.	80110-SV4-003
APPLICATION	ACCORD '93-97



HONDA	BA-2107-00
L X H X T (mm)	690 X 512 X 16
INLET	
OUTLET	
OE REF.	80100-S3V-A02/80100-S3V-A03 80100-S3V-A11
APPLICATION	ACURA MDX '01-02 / '03-06



HONDA	BA-2108-00
L X H X T (mm)	760 X 442 X 16
INLET	
OUTLET	
OE REF.	80100-S0X-A01
APPLICATION	ODYSSEY '99- / '02-04



HONDA	BA-2109-00
L X H X T (mm)	650 X 335 X 16
INLET	
OUTLET	
OE REF.	80110-S5T-E01
APPLICATION	CIVIC SI '02-05



HONDA	BA-2110-00
L X H X T (mm)	357 X 418 X 16
INLET	
OUTLET	
OE REF.	80110-SAA-003
APPLICATION	FIT 5D '03-

A
A
COMPRESSOR
B
A
CONDENSER
C
A
EVAPORATOR
D
A
RECEIVER DRIER
E
A
EXPANSION VALVE
F
A
CABIN FILTER
G
A
MOTOR
H
A
HOSES
I
A
THERMOSTAT
J
A
BLOWER
K
A
AC / DC FAN
L
A
REFRIGERANT GAS
M
A
FITTING
N
A
FERRULE
O
A
ACCESSORIES



HONDA	BA-2111-00
L X H X T (mm)	693 X 272 X 16
INLET	
OUTLET	
OE REF.	80110-SX8-D01
APPLICATION	CITY '95-



HONDA	BA-2112-00
L X H X T (mm)	780 X 428 X 16
INLET	
OUTLET	
OE REF.	80110-SHJ-A01
APPLICATION	ODYSSEY '05-06



HONDA	BA-2113-00
L X H X T (mm)	654 X 380 X 16
INLET	
OUTLET	
OE REF.	
APPLICATION	CIVIC FA1



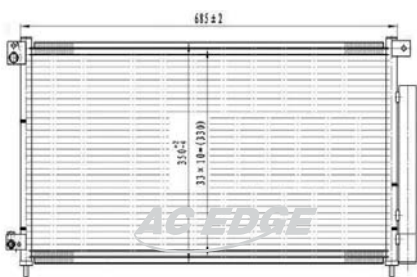
HONDA	BA-2114-00
L X H X T (mm)	706 X 360 X 16
INLET	
OUTLET	
OE REF.	80110-PD0-003
APPLICATION	ACCORD '08-



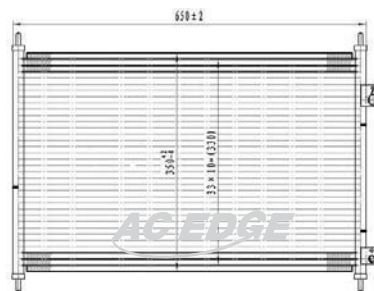
HONDA	BA-2115-00
L X H X T (mm)	704 X 392 X 16
INLET	
OUTLET	
OE REF.	80100-S7A-013
APPLICATION	STREAM RN3 '00-



HONDA	BA-2116-00
L X H X T (mm)	648 X 360 X 16
INLET	
OUTLET	
OE REF.	
APPLICATION	ACCORD '02-



HONDA	BA-2117-00
L X H X T (mm)	685 X 350 X 16
INLET	
OUTLET	
OE REF.	80110-SDN-A01
APPLICATION	ACCORD L4 R12 / R134a '03



HONDA	BA-2118-00
L X H X T (mm)	650 X 350 X 16
INLET	
OUTLET	
OE REF.	80110-S5B-003
APPLICATION	CIVIC (HYBRID) '03-05



HONDA	BA-2119-00
L X H X T (mm)	704 X 370 X 16
INLET	
OUTLET	
OE REF.	80110-SWA-A01
APPLICATION	CRV '02-05 CRV (RD-2003) '02-05



HONDA	BA-2120-00
L X H X T (mm)	668 X 380 X 16
INLET	
OUTLET	
OE REF.	
APPLICATION	HONDA



HONDA	BA-2121-00
L X H X T (mm)	691 X 502 X 16
INLET	
OUTLET	
OE REF.	80110-SJC-A01
APPLICATION	RIDGELINE '05-06



HONDA	BA-2122-00
L X H X T (mm)	680 X 502 X 16
INLET	
OUTLET	
OE REF.	80100-S9V-A01 80100-S9V-A02
APPLICATION	ACCORD SEDAN V6 / L4 '03-07



HONDA	BA-2123-00
L X H X T (mm)	650 X 422 X 16
INLET	
OUTLET	
OE REF.	80110-S3N-003
APPLICATION	ODYSSEY (JAPAN BUILT) '99-03



HONDA	BA-2124-00
L X H X T (mm)	705 X 414 X 16
INLET	
OUTLET	
OE REF.	
APPLICATION	MDX-08



HONDA	BA-2125-00
L X H X T (mm)	795 X 468 X 16
INLET	
OUTLET	
OE REF.	
APPLICATION	MDX (AMERICAN BUILT) '08-



HONDA	BA-2126-00
L X H X T (mm)	695 X 350 X 16
INLET	
OUTLET	
OE REF.	
APPLICATION	ACCORD 08 (AMERICAN BUILT) '08-



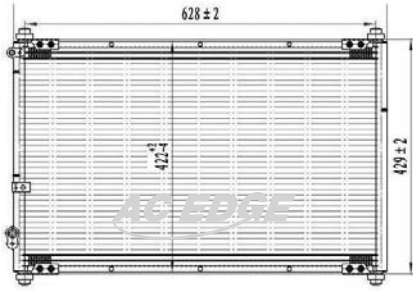
HONDA	BA-2127-00
L X H X T (mm)	648 X 320 X 16
INLET	
OUTLET	
OE REF.	80110-S70-000
APPLICATION	SM-X '96-



HONDA	BA-2128-00
L X H X T (mm)	
INLET	
OUTLET	
OE REF.	
APPLICATION	FIT 08

A A COMPRESSOR
 B A CONDENSER
 C A EVAPORATOR
 D A RECEIVER/DRIER
 E A EXPANSION VALVE
 F A CABIN FILTER
 G A MOTOR
 H A HOSES
 I A THERMOSTAT
 J A BLOWER
 K A AC / DC FAN
 L A REFRIGERANT GAS
 M A FITTING
 N A FERRULE
 O A ACCESSORIES

A
A
COMPRESSOR
B
A
CONDENSER
C
A
EVAPORATOR
D
A
RECEIVER DRIER
E
A
EXPANSION VALVE
F
A
CABIN FILTER
G
A
MOTOR
H
A
HOSES
I
A
THERMOSTAT
J
A
BLOWER
K
A
AC / DC FAN
L
A
REFRIGERANT GAS
M
A
FITTING
N
A
FERRULE
O
A
ACCESSORIES



HONDA	BA-2129-00
L X H X T (mm)	668 X 422 X 16
INLET	
OUTLET	
OE REF.	
APPLICATION	ODYSSEY RA6 '05



HONDA	BA-2130-00
L X H X T (mm)	
INLET	
OUTLET	
OE REF.	80100-S7S-003
APPLICATION	STEPWAGON '01-



HONDA	BA-2131-00
L X H X T (mm)	
INLET	
OUTLET	
OE REF.	80110-S47-003
APPLICATION	STEPWAGON (JAPAN BUILT) '96-

Picture
Unavailable



Picture
Unavailable

HONDA	BA-2265-00
L X H X T (mm)	X X
INLET	
OUTLET	
OE REF.	
APPLICATION	HONDA

Picture
Unavailable

HONDA	BA-2276-00
L X H X T (mm)	650 X 376 X 16
INLET	
OUTLET	
OE REF.	
APPLICATION	HONDA ACCORD '01-'06

Picture
Unavailable

HONDA	BA-2301-00
L X H X T (mm)	X X
INLET	
OUTLET	
OE REF.	
APPLICATION	HONDA

HONDA	BA-2302-00
L X H X T (mm)	X X
INLET	
OUTLET	
OE REF.	
APPLICATION	HONDA

HONDA	BA-2303-00
L X H X T (mm)	X X
INLET	
OUTLET	
OE REF.	
APPLICATION	HONDA



HYUNDAI	BA-1646-PF
L X H X T (mm)	525 X 379.5 X 16
INLET	
OUTLET	
OE REF.	
APPLICATION	HYUNDAI GRANDMAX



HYUNDAI	BA-2211-00
L X H X T (mm)	720 X 346 X 16
INLET	
OUTLET	
OE REF.	97606-38003
APPLICATION	SONATA '03-04



HYUNDAI	BA-2212-00
L X H X T (mm)	613 X 360 X 16
INLET	
OUTLET	
OE REF.	
APPLICATION	ELANTRA / TIBURON '01-07



HYUNDAI	BA-2213-00
L X H X T (mm)	704 X 346 X 16
INLET	
OUTLET	
OE REF.	97606-26000 97606-26001
APPLICATION	SANTA FE '01-03 / '04-06



HYUNDAI	BA-2214-00
L X H X T (mm)	581 X 325 X 16
INLET	
OUTLET	
OE REF.	97606-22010 97606-22050
APPLICATION	ACCENT (X-3) '95



HYUNDAI	BA-2216-00
L X H X T (mm)	648 X 346 X 16
INLET	
OUTLET	
OE REF.	97606-29000
APPLICATION	ELENTRA II '96-00



HYUNDAI	BA-2217-00
L X H X T (mm)	648 X 346 X 16
INLET	
OUTLET	
OE REF.	97606-29100
APPLICATION	ELENTRA III '96-01

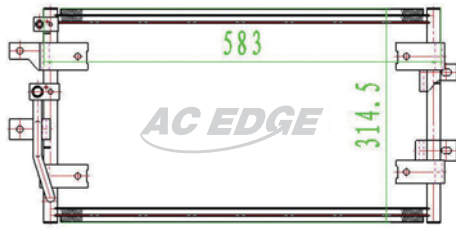


HYUNDAI	BA-2218-00
L X H X T (mm)	648 X 346 X 16
INLET	
OUTLET	
OE REF.	
APPLICATION	ELENTRA I



HYUNDAI	BA-2219-00
L X H X T (mm)	616 X 350 X 16
INLET	
OUTLET	
OE REF.	97606-25500
APPLICATION	ACCENT '00-06

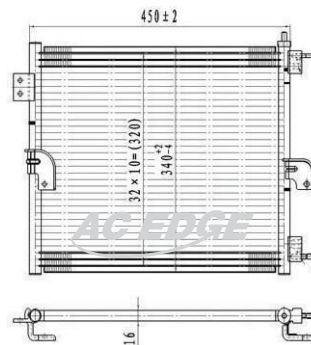
A
A
COMPRESSOR
B
A
CONDENSER
C
A
EVAPORATOR
D
A
RECEIVER DRIER
E
A
EXPANSION VALVE
F
A
CABIN FILTER
G
A
MOTOR
H
A
HOSES
I
A
THERMOSTAT
J
A
BLOWER
K
A
AC / DC FAN
L
A
REFRIGERANT GAS
M
A
FITTING
N
A
FERRULE
O
A
ACCESSORIES



HYUNDAI	BA-2220-00
L X H X T (mm)	583 X 314 X 16
INLET	
OUTLET	
OE REF.	
APPLICATION	

HYUNDAI	BA-2222-00
L X H X T (mm)	549 X 350 X 16
INLET	
OUTLET	
OE REF.	97606-1C100
APPLICATION	GETZ '02-

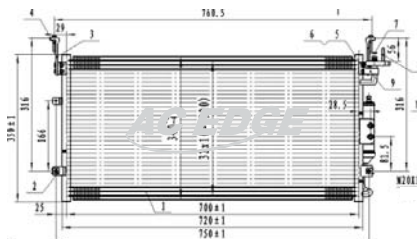
HYUNDAI	BA-2225-00
L X H X T (mm)	
INLET	
OUTLET	
OE REF.	
APPLICATION	CERATO



HYUNDAI	BA-2229-00
L X H X T (mm)	448 X 340 X 16
INLET	
OUTLET	
OE REF.	
APPLICATION	AROS

HYUNDAI	BA-2230-00
L X H X T (mm)	450 X 340 X 16
INLET	
OUTLET	
OE REF.	
APPLICATION	AROS

HYUNDAI	BA-2270-00
L X H X T (mm)	600 X 366 X 16
INLET	
OUTLET	
OE REF.	
APPLICATION	HYUNDAI TUCSON / SPORTAGE



HYUNDAI	BA-2273-00
L X H X T (mm)	705 X 340 X 16
INLET	
OUTLET	
OE REF.	97606-38003
APPLICATION	HYUNDAI SONATA '03-'04

HYUNDAI	BA-2295-00
L X H X T (mm)	700 X 350 X 16
INLET	
OUTLET	
OE REF.	
APPLICATION	HYUNDAI SONATA

Picture
Unavailable

Picture
Unavailable

Picture
Unavailable

ISUZU	BA-2249-00
L X H X T (mm)	X X
INLET	
OUTLET	
OE REF.	
APPLICATION	ISUZU

ISUZU	BA-2250-00
L X H X T (mm)	X X
INLET	
OUTLET	
OE REF.	
APPLICATION	ISUZU

ISUZU	BA-2254-00
L X H X T (mm)	X X
INLET	
OUTLET	
OE REF.	
APPLICATION	ISUZU D-MAX '05-'07

Picture
Unavailable

Picture
Unavailable

ISUZU	BA-2257-00
L X H X T (mm)	X X
INLET	
OUTLET	
OE REF.	
APPLICATION	ISUZU D-MAX '08-

ISUZU	BA-2275-00
L X H X T (mm)	X X
INLET	
OUTLET	
OE REF.	
APPLICATION	ISUZU

A
A
A
COMPRESSOR

B
A
CONDENSER

C
A
EVAPORATOR

D
A
RECEIVER DRIER

E
A
EXPANSION VALVE

F
A
CABIN FILTER

G
A
MOTOR

H
A
HOSES

I
A
THERMOSTAT

J
A
BLOWER

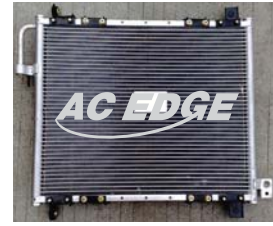
K
A
AC / DC FAN

L
A
REFRIGERANT GAS

M
A
FITTING

N
A
FERRULE

O
A
ACCESSORIES



KIA	BA-2221-00
L X H X T (mm)	700 X 346 X 16
INLET	
OUTLET	
OE REF.	
APPLICATION	OPTIMA

KIA	BA-2223-00
L X H X T (mm)	
INLET	
OUTLET	
OE REF.	
APPLICATION	KIA PREGIO (SMALL)

KIA	BA-2224-00
L X H X T (mm)	
INLET	
OUTLET	
OE REF.	JK447750 0280
APPLICATION	KIA PREGIO (BIG) '04-05



KIA	BA-2281-00
L X H X T (mm)	700 X 418 X 16
INLET	
OUTLET	
OE REF.	
APPLICATION	KIA CARNIVAL

KIA	BA-2168-00
L X H X T (mm)	577 X 329 X 16
INLET	
OUTLET	
OE REF.	
APPLICATION	KIA MAXIMA

KIA	BA-2215-00
L X H X T (mm)	632 X 332 X 20
INLET	
OUTLET	
OE REF.	0K-2B1-61-480A / B 1K2A1-61480A
APPLICATION	SHUMA/SEPHIA '98-01



LEXUS	BA-2149-00
L X H X T (mm)	696 X 510 X 16
INLET	
OUTLET	
OE REF.	88460-48040/88460-0E010 88460-0E011
APPLICATION	HARRIER/LEXUS RX300/330

LEXUS	BA-2150-00
L X H X T (mm)	734 X 420 X 16
INLET	
OUTLET	
OE REF.	88450-48010
APPLICATION	LEXUS RX300/330 '99-03

LEXUS	BA-2151-00
L X H X T (mm)	687 X 346 X 16
INLET	
OUTLET	
OE REF.	88460-53030
APPLICATION	LEXUS IS250/350 '06-07

A
A
A
COMPRESSOR

B
A
CONDENSER

C
A
EVAPORATOR

D
A
RECEIVER DRYER

E
A
EXPANSION VALVE

F
A
CABIN FILTER

G
A
MOTOR

H
A
HOSES

I
A
THERMOSTAT

J
A
BLOWER

K
A
AC / DC FAN

L
A
REFRIGERANT GAS

M
A
FITTING

N
A
FERRULE

O
A
ACCESSORIES

A
A
A
COMPRESSOR

B
A
CONDENSER

C
A
EVAPORATOR

D
A
RECEIVER DRIER

E
A
EXPANSION VALVE

F
A
CABIN FILTER

G
A
MOTOR

H
A
HOSES

I
A
THERMOSTAT

J
A
BLOWER

K
A
AC / DC FAN

L
A
REFRIGERANT GAS

M
A
FITTING

N
A
FERRULE

O
A
ACCESSORIES



MAZDA	BA-2163-00
L X H X T (mm)	630 X 460 X 16
INLET	
OUTLET	
OE REF.	
APPLICATION	MAZDA MPV HMC6472



MAZDA	BA-2164-00
L X H X T (mm)	646 X 335.5 X 16
INLET	
OUTLET	
OE REF.	B25P61480A/B B25F61480A/B
APPLICATION	MAZDA PROTEGE '02-03



MAZDA	BA-2165-00
L X H X T (mm)	648 X 381 X 16
INLET	
OUTLET	
OE REF.	BO2H-61-480B BO1W-61-480E
APPLICATION	MAZDA 323 '95-96



MAZDA	BA-2166-00
L X H X T (mm)	647 X 346 X 16
INLET	
OUTLET	
OE REF.	B25SF-61-480/C100-61-480 L4800C100A
APPLICATION	MAZDA PREMACY '99-03



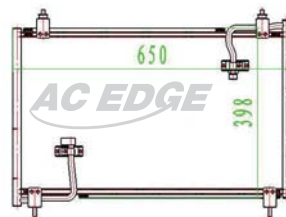
MAZDA	BA-2167-00
L X H X T (mm)	647 X 336 X 16
INLET	
OUTLET	
OE REF.	B25F-61-480 B25H-61-480A
APPLICATION	MAZDA FAMILY '01-03



MAZDA	BA-2169-00
L X H X T (mm)	600 X 388 X 16
INLET	
OUTLET	
OE REF.	BP4K-61-480B BPYK-61-48ZA
APPLICATION	MAZDA 3 Axela '04-07



MAZDA	BA-2172-00
L X H X T (mm)	586 X 367 X 16
INLET	
OUTLET	
OE REF.	GE4T-61-480A L4800-GE-4TB
APPLICATION	MAZDA 626/CAPELLA '97-02



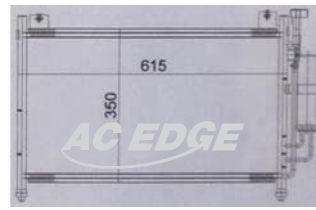
MAZDA	BA-2173-00
L X H X T (mm)	650 X 398 X 16
INLET	
OUTLET	
OE REF.	
APPLICATION	MAZDA 929 HDV



MAZDA	BA-2180-00
L X H X T (mm)	636 X 307 X 16
INLET	
OUTLET	
OE REF.	GJ6A-61-480B GJYG-61-48Z
APPLICATION	MAZDA M6(02)/Atenza '02



MAZDA	BA-2181-00
L X H X T (mm)	565 X 300 X 16
INLET	
OUTLET	
OE REF.	D3Y561482B
APPLICATION	MAZDA 2



MAZDA	BA-2182-00
L X H X T (mm)	615 X 350 X 16
INLET	
OUTLET	
OE REF.	
APPLICATION	MAZDA 2



MAZDA	BA-2183-00
L X H X T (mm)	
INLET	
OUTLET	
OE REF.	D267-61-480A
APPLICATION	DEMIO '00-



MAZDA	BA-2184-00
L X H X T (mm)	
INLET	
OUTLET	
OE REF.	D201-61-480B L4800-D201-B06
APPLICATION	DEMIO '96-



MAZDA	BA-2185-00
L X H X T (mm)	680 X 334 X 16
INLET	
OUTLET	
OE REF.	GK2G-61-480J/K
APPLICATION	MAZDA M6 '03-06

A
A
COMPRESSOR

B
A
CONDENSER

C
A
EVAPORATOR

D
A
RECEIVER DRIER

E
A
EXPANSION VALVE

F
A
CABIN FILTER

G
A
MOTOR

H
A
HOSES

I
A
THERMOSTAT

J
A
BLOWER

K
A
AC / DC FAN

L
A
REFRIGERANT GAS

M
A
FITTING

N
A
FERRULE

O
A
ACCESSORIES

A
A
COMPRESSOR

B
A
CONDENSER

C
A
EVAPORATOR

D
A
RECEIVER DRIER

E
A
EXPANSION VALVE

F
A
CABIN FILTER

G
A
MOTOR

H
A
HOSES

I
A
THERMOSTAT

J
A
BLOWER

K
A
AC / DC FAN

L
A
REFRIGERANT GAS

M
A
FITTING

N
A
FERRULE

O
A
ACCESSORIES



MERCEDES BA-2192-00	
L X H X T (mm)	630 X 501 X 16
INLET	
OUTLET	
OE REF.	140.830.0570
APPLICATION	W140 S-CLASS '95-98



MERCEDES BA-2193-00	
L X H X T (mm)	620 X 510 X 16
INLET	
OUTLET	
OE REF.	202.830.0270 / 202.830.0570
APPLICATION	W210-E-CLASS '95-



MERCEDES BA-2194-00	
L X H X T (mm)	670 X 377 X 16
INLET	
OUTLET	
OE REF.	901.500.0454 / 901.500.0554
APPLICATION	MB / SPRINTER '95-



MERCEDES BA-2195-00	
L X H X T (mm)	594 X 411 X 16
INLET	
OUTLET	
OE REF.	901.500.0554
APPLICATION	W202 C-CLASS



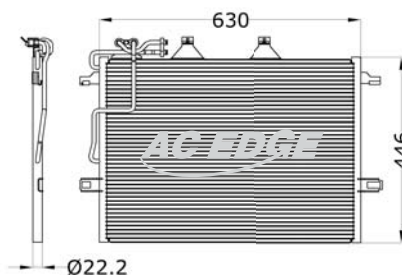
MERCEDES BA-2196-00	
L X H X T (mm)	594 X 440 X 16
INLET	
OUTLET	
OE REF.	202.830.0570 / 202.830.0870
APPLICATION	W202 C-CLASS '93-95



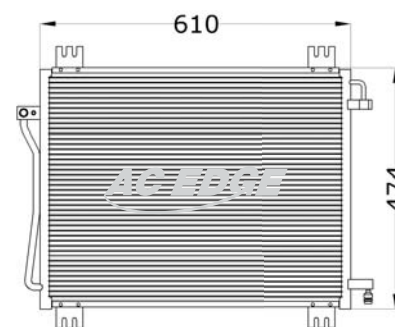
MERCEDES BA-2197-00	
L X H X T (mm)	693 X 360 X 16
INLET	
OUTLET	
OE REF.	203-500-1254
APPLICATION	C-CLASS 230/240/320/C32 '01-05



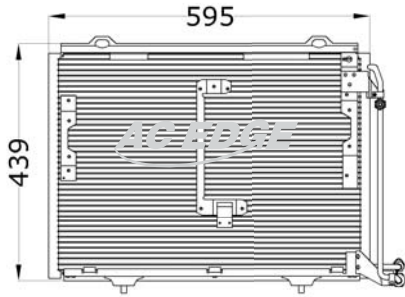
MERCEDES BA-2198-00	
L X H X T (mm)	530 X 561 X 16
INLET	
OUTLET	
OE REF.	
APPLICATION	ML320/350 '98-03



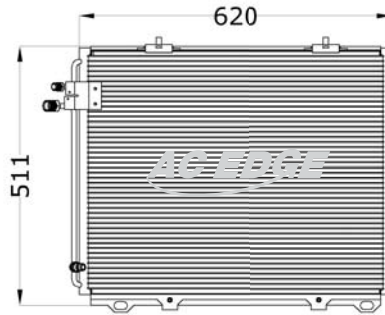
MERCEDES BA-2717-RH	
L X H X T (mm)	630 X 466 X 22.2
INLET	
OUTLET	
OE REF.	
APPLICATION	E200 COMPRESSOR COND



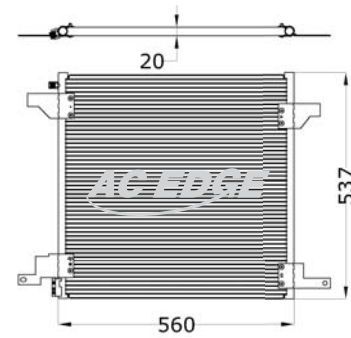
MERCEDES BA-2718-RL	
L X H X T (mm)	610 X 474 X
INLET	
OUTLET	
OE REF.	
APPLICATION	MB140 VAN FRONT FL COND



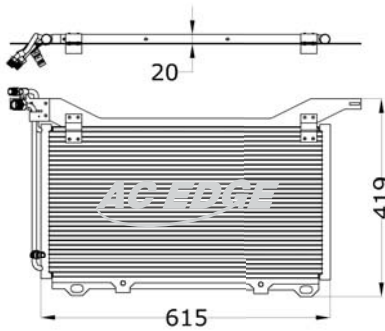
MERCEDES BA-2719-RL	
L X H X T (mm)	595 X 439 X
INLET	
OUTLET	
OE REF.	
APPLICATION	202 0870 (PF) COND



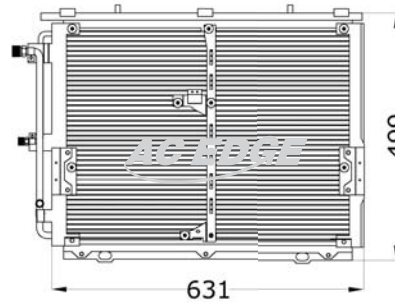
MERCEDES BA-2720-RL	
L X H X T (mm)	620 X 511 X
INLET	
OUTLET	
OE REF.	
APPLICATION	210 0570 (PF) COND



MERCEDES BA-2721-RL	
L X H X T (mm)	560 X 537 X 20
INLET	
OUTLET	
OE REF.	163 830 0170
APPLICATION	MB W163 (ML320 JEEP) FL COND



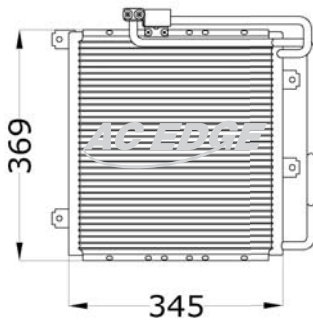
MERCEDES BA-2722-RL	
L X H X T (mm)	615 X 419 X 20
INLET	
OUTLET	
OE REF.	210 830 0370
APPLICATION	MB E-CLASS W210 CDI 1999 OR R134a



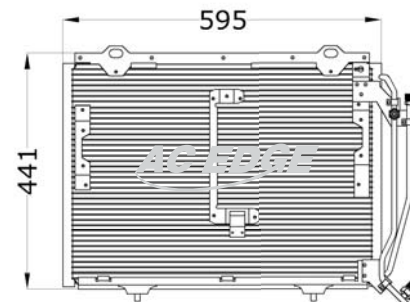
MERCEDES BA-2723-RL	
L X H X T (mm)	631 X 499 X
INLET	
OUTLET	
OE REF.	140 830 0570
APPLICATION	MB S-CLASS 140 OR R134a



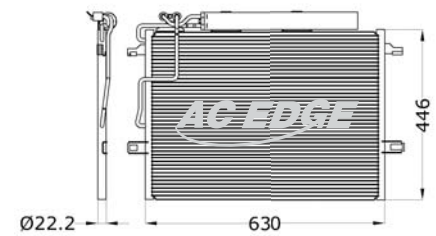
MERCEDES BA-2724-RL	
L X H X T (mm)	620 X 496 X 22.2
INLET	
OUTLET	
OE REF.	220 500 0154
APPLICATION	MB W220 FL RHD



MERCEDES BA-2725-RL	
L X H X T (mm)	345 X 369 X
INLET	
OUTLET	
OE REF.	
APPLICATION	MB 100 VAN BOTTOM FL

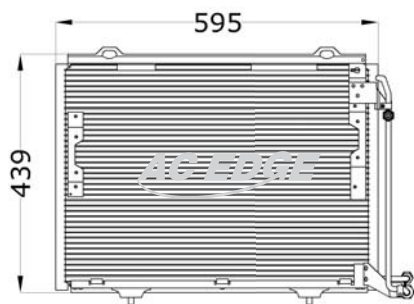


MERCEDES BA-2726-RL	
L X H X T (mm)	595 X 441 X
INLET	
OUTLET	
OE REF.	140 830 0570
APPLICATION	MB S-CLASS 140 OR R134a

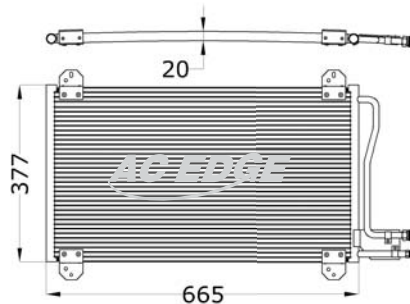


MERCEDES BA-2727-LH	
L X H X T (mm)	630 X 446 X 22.2
INLET	
OUTLET	
OE REF.	
APPLICATION	MB E-CLASS ESTATE (S211) E200 T KOMPRESSOR W. R/D OE-211 500 0154 / 0254 / 0654 / 1154

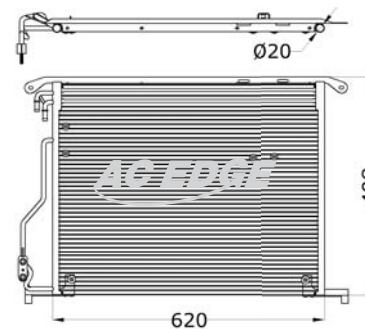
A
A
COMPRESSOR
B
A
CONDENSER
C
A
EVAPORATOR
D
A
RECEIVER DRIER
E
A
EXPANSION VALVE
F
A
CABIN FILTER
G
A
MOTOR
H
A
HOSES
I
A
THERMOSTAT
J
A
BLOWER
K
A
AC / DC FAN
L
A
REFRIGERANT GAS
M
A
FITTING
N
A
FERRULE
O
A
ACCESSORIES



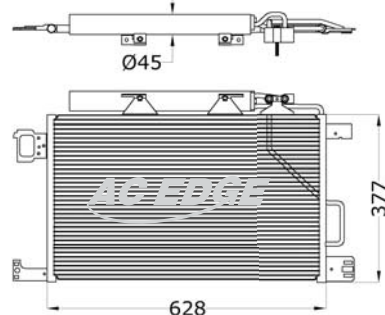
MERCEDES BA-2728-RL	
L X H X T (mm)	595 X 439 X
INLET	
OUTLET	
OE REF.	202 830 0970 / 1370
APPLICATION	202 0970 PF COND



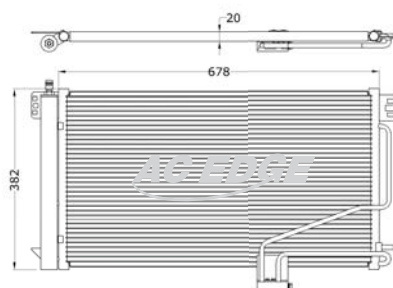
MERCEDES BA-2729-LH	
L X H X T (mm)	665 X 377 X 20
INLET	
OUTLET	
OE REF.	
APPLICATION	MB SPECIAL OR / MB SPRINTER / MB VITO



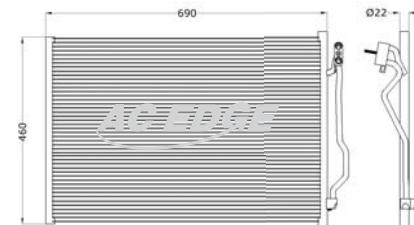
MERCEDES BA-2730-RL	
L X H X T (mm)	620 X 498 X 20
INLET	
OUTLET	
OE REF.	220 500 1054
APPLICATION	MB 220 1054 FL



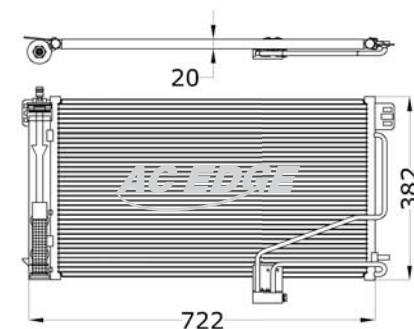
MERCEDES BA-2731-RL	
L X H X T (mm)	628 X 377 X 45
INLET	
OUTLET	
OE REF.	203 500 0854
APPLICATION	MB W203 - C CLASS (00) FL W. R/D



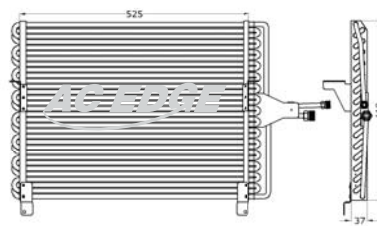
MERCEDES BA-2732-RL	
L X H X T (mm)	678 X 382 X 20
INLET	
OUTLET	
OE REF.	203 500 0054/0154
APPLICATION	MB C203 WITH RDØ35 COND



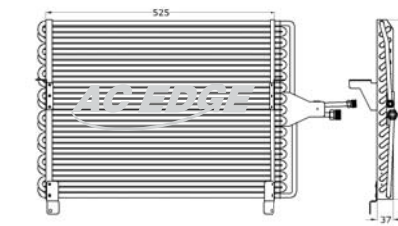
MERCEDES BA-2733-RH	
L X H X T (mm)	690 X 460 X 22
INLET	
OUTLET	
OE REF.	203-500-1254
APPLICATION	MB W221 S-CLASS YR2007 - 2010 FL COND



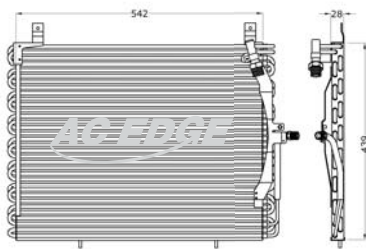
MERCEDES BA-2766-RL	
L X H X T (mm)	722 X 382 X 20
INLET	
OUTLET	
OE REF.	
APPLICATION	MB C203 COND WITH RD 45



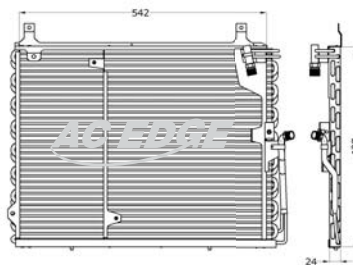
MERCEDES BA-2735-RL	
L X H X T (mm)	525 X 410 X 37
INLET	
OUTLET	
OE REF.	123 830 0570
APPLICATION	MB 123 0570 8MM AL COND



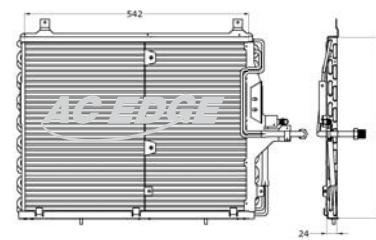
MERCEDES BA-2736-RL	
L X H X T (mm)	525 X 410 X 37
INLET	
OUTLET	123 830 0770
OE REF.	
APPLICATION	MB 123 0770 8MM AL COND



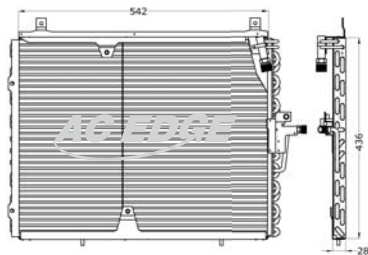
MERCEDES BA-2737-RL	
L X H X T (mm)	542 X 439 X 28
INLET	
OUTLET	
OE REF.	124 830 0670
APPLICATION	MB 124 0670 8MM AL COND



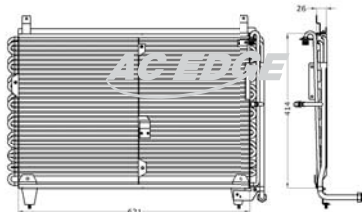
MERCEDES BA-2738-RL	
L X H X T (mm)	542 X 437 X 24
INLET	
OUTLET	
OE REF.	124 830 1370
APPLICATION	MB 124 1370 8MM AL COND



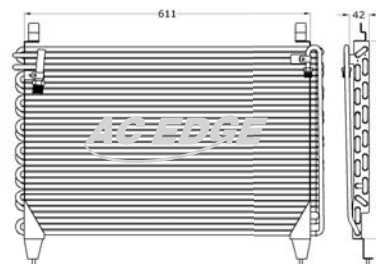
MERCEDES BA-2739-RL	
L X H X T (mm)	542 X 436 X 24
INLET	
OUTLET	
OE REF.	124 830 1670
APPLICATION	MB 124 1670 8MM AL COND



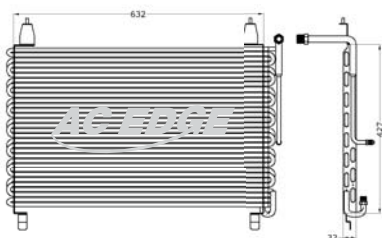
MERCEDES BA-2741-RL	
L X H X T (mm)	542 X 436 X 28
INLET	
OUTLET	
OE REF.	124 830 1770
APPLICATION	MB 124 1770 8MM AL COND



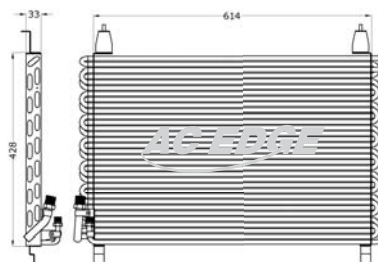
MERCEDES BA-2742-RL	
L X H X T (mm)	621 X 414 X 26
INLET	
OUTLET	
OE REF.	126 830 2570
APPLICATION	MB 126 300J 8MM AL COND



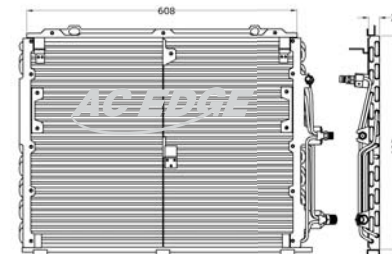
MERCEDES BA-2743-RL	
L X H X T (mm)	611 X 422 X 42
INLET	
OUTLET	
OE REF.	126 830 1470
APPLICATION	MB 126 (280SE) 8MM AL COND



MERCEDES BA-2744-RL	
L X H X T (mm)	632 X 427 X 32
INLET	
OUTLET	
OE REF.	126 830 2470
APPLICATION	MB 126 (300SE) 8MM AL COND



MERCEDES BA-2745-RL	
L X H X T (mm)	614 X 428 X 33
INLET	
OUTLET	
OE REF.	126 830 1370/1170/2870
APPLICATION	MB 126 (500SE) 8MM AL COND



MERCEDES BA-2746-RL	
L X H X T (mm)	608 X 466 X 26
INLET	
OUTLET	
OE REF.	140 830 0570
APPLICATION	MB 140 0570 8MM AL COND

A
A
COMPRESSOR
B
A
CONDENSER
C
A
EVAPORATOR
D
A
RECEIVER DRIER
E
A
EXPANSION VALVE
F
A
CABIN FILTER
G
A
MOTOR
H
A
HOSES
I
A
THERMOSTAT
J
A
BLOWER
K
A
AC / DC FAN
L
A
REFRIGERANT GAS
M
A
FITTING
N
A
FERRULE
O
A
ACCESSORIES

A
A
COMPRESSOR

B
A
CONDENSER

C
A
EVAPORATOR

D
A
RECEIVER DRIER

E
A
EXPANSION VALVE

F
A
CABIN FILTER

G
A
MOTOR

H
A
HOSES

I
A
THERMOSTAT

J
A
BLOWER

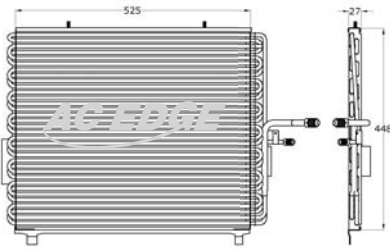
K
A
AC / DC FAN

L
A
REFRIGERANT GAS

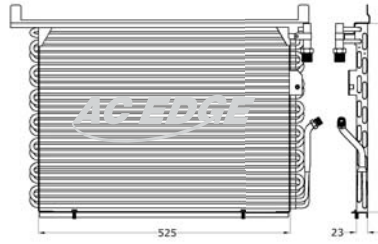
M
A
FITTING

N
A
FERRULE

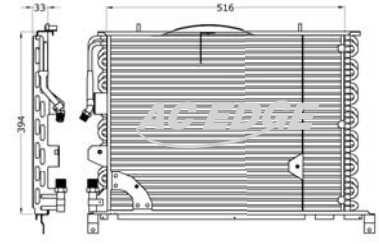
O
A
ACCESSORIES



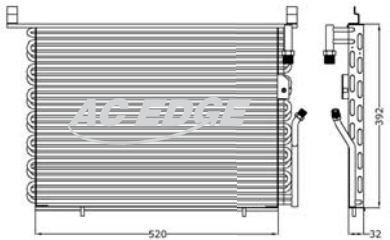
MERCEDES BA-2747-RL	
L X H X T (mm)	525 X 448 X 27
INLET	
OUTLET	
OE REF.	
APPLICATION	MB 180C 8mm AL COND



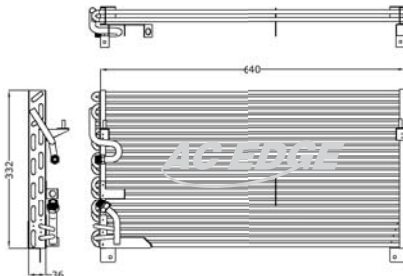
MERCEDES BA-2748-RL	
L X H X T (mm)	525 X 393 X 23
INLET	
OUTLET	
OE REF.	
APPLICATION	MB 190 - A4 8mm AL COND



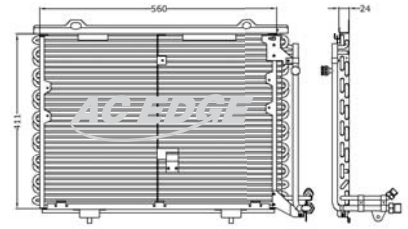
MERCEDES BA-2749-RL	
L X H X T (mm)	516 X 394 X 33
INLET	
OUTLET	
OE REF.	201 830 2870
APPLICATION	MB 201 2870 8mm AL COND



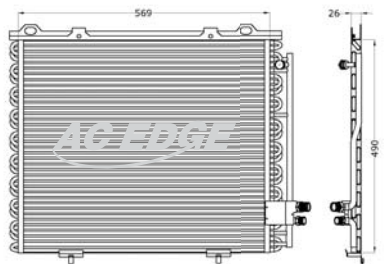
MERCEDES BA-2750-RL	
L X H X T (mm)	520 X 392 X 32
INLET	
OUTLET	
OE REF.	201 830 2870/0270
APPLICATION	MB 190 - A4 (201 2870) 9.53mm AL COND



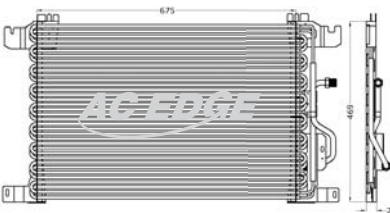
MERCEDES BA-2752-RL	
L X H X T (mm)	640 X 332 X 36
INLET	
OUTLET	
OE REF.	203 500 0054/0154
APPLICATION	MB 201 - 190 - 01 9.53mm AL COND



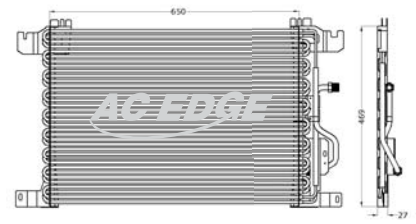
MERCEDES BA-2753-RL	
L X H X T (mm)	560 X 411 X 21
INLET	
OUTLET	
OE REF.	202 830 0870
APPLICATION	MB C202 0870 8mm AL COND



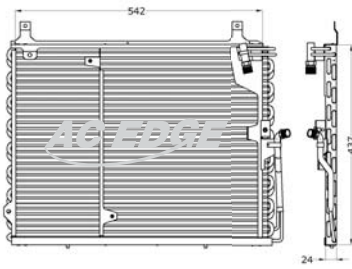
MERCEDES BA-2754-RL	
L X H X T (mm)	569 X 490 X 26
INLET	
OUTLET	
OE REF.	210 830 0570/0270
APPLICATION	MB 210 0570 8mm AL COND



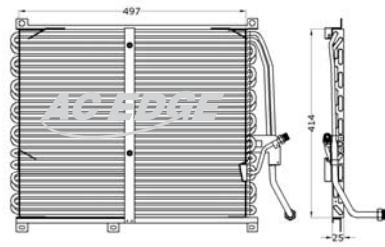
MERCEDES BA-2757-RL	
L X H X T (mm)	675 X 469 X 27
INLET	
OUTLET	
OE REF.	942 500 0154
APPLICATION	M/B TRUCK ACTROS 8mm AL COND



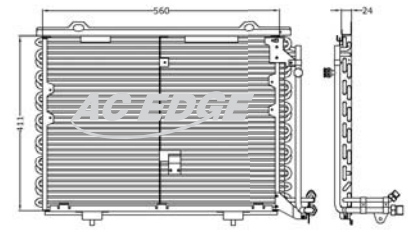
MERCEDES BA-2758-RL	
L X H X T (mm)	650 X 469 X 27
INLET	
OUTLET	
OE REF.	
APPLICATION	M/B TRUCK OR 8mm AL YON COND



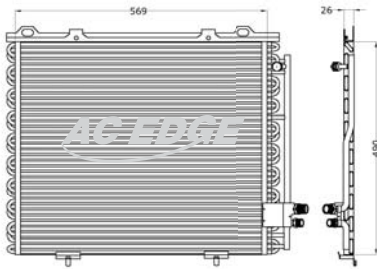
MERCEDES BA-2759-RL	
L X H X T (mm)	542 X 437 X 24
INLET	
OUTLET	
OE REF.	
APPLICATION	MB 124 1370 OR 8mm CU R134a COND



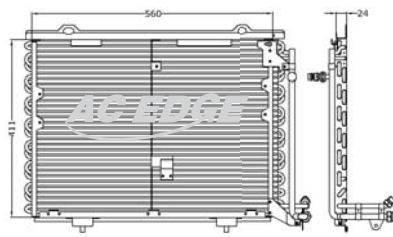
MERCEDES BA-2760-RL	
L X H X T (mm)	497 X 414 X 25
INLET	
OUTLET	
OE REF.	201 830 2270
APPLICATION	MB 190 NEW OR 8mm AL COND



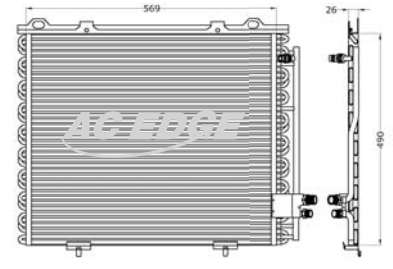
MERCEDES BA-2761-RL	
L X H X T (mm)	560 X 411 X 24
INLET	
OUTLET	
OE REF.	
APPLICATION	MB C202 0870 OR 8mm CU R134a COND



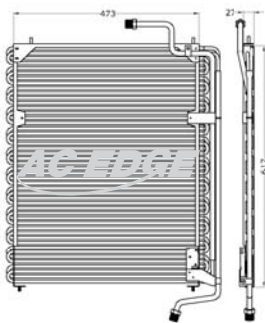
MERCEDES BA-2762-RL	
L X H X T (mm)	569 X 490 X 26
INLET	
OUTLET	
OE REF.	
APPLICATION	MB 210 0570 OR 8mm CU R134a COND



MERCEDES BA-2763-RL	
L X H X T (mm)	560 X 411 X 24
INLET	
OUTLET	
OE REF.	
APPLICATION	MB C202 0870 OR 8mm AL COND (WITH SERVICE VALVE)



MERCEDES BA-2764-RL	
L X H X T (mm)	569 X 490 X 26
INLET	
OUTLET	
OE REF.	
APPLICATION	MB 210 0570 OR 8mm AL COND (WITH SERVICE VALVE)



MERCEDES BA-2765-RL	
L X H X T (mm)	473 X 617 X 27
INLET	
OUTLET	
OE REF.	
APPLICATION	MB TRUCK TURBO 90-95 OR 8mm AL COND



MERCEDES BA-1817-00	
L X H X T (mm)	640 X 374 X 16
INLET	
OUTLET	
OE REF.	2035000054/2035000554
APPLICATION	MERCEDES W203 '00-02



MERCEDES BA-1819-00	
L X H X T (mm)	630 X 375 X 16
INLET	
OUTLET	
OE REF.	2035000854
APPLICATION	MERCEDES W203 '02

A
A
A
COMPRESSOR

B
A
CONDENSER

C
A
EVAPORATOR

D
A
RECEIVER DRIER

E
A
EXPANSION VALVE

F
A
CABIN FILTER

G
A
MOTOR

H
A
HOSES

I
A
THERMOSTAT

J
A
BLOWER

K
A
AC / DC FAN

L
A
REFRIGERANT GAS

M
A
FITTING

N
A
FERRULE

O
A
ACCESSORIES



MERCEDES BA-1821-00	
L X H X T (mm)	620 X 480 X 18
INLET	
OUTLET	
OE REF.	2108300270/2108300570
APPLICATION	MERCEDES W210 '95-00



MERCEDES BA-1822-00	
L X H X T (mm)	614 X 326 X 20
INLET	
OUTLET	
OE REF.	2108300370
APPLICATION	MERCEDES W210 '98-02



MERCEDES BA-1824-00	
L X H X T (mm)	580 X 480 X 16
INLET	
OUTLET	
OE REF.	2205000054/2205000154
APPLICATION	MERCEDES W220 '99



MERCEDES BA-2253-00	
L X H X T (mm)	X X
INLET	
OUTLET	
OE REF.	2035000054
APPLICATION	MERCEDES BENZ W203



MERCEDES BA-2283-00	
L X H X T (mm)	X X
INLET	
OUTLET	
OE REF.	
APPLICATION	MERCEDES BENS W211 '02-'09



MERCEDES BA-2297-00	
L X H X T (mm)	X X
INLET	
OUTLET	
OE REF.	2035000854
APPLICATION	MERCEDES BENS W203 '03-'04 / '05-'06



MERCEDES BA-2298-00	
L X H X T (mm)	620 X 481 X 16
INLET	
OUTLET	
OE REF.	
APPLICATION	MERCEDES BENZ S320 W220 '98-'05



MITSUBISHI BA-2132-00

L X H X T (mm)	381 X 638 X 16
INLET	
OUTLET	
OE REF.	
APPLICATION	DELICA

MITSUBISHI BA-2133-00

L X H X T (mm)	643 X 315 X 16
INLET	
OUTLET	
OE REF.	CW727655
APPLICATION	LIONCEL

MITSUBISHI BA-2134-00

L X H X T (mm)	750 X 452 X 16
INLET	
OUTLET	
OE REF.	
APPLICATION	SOVENRAN '01-



MITSUBISHI BA-2136-00

L X H X T (mm)	640 X 367 X 20
INLET	
OUTLET	
OE REF.	
APPLICATION	PAJERO V33

MITSUBISHI BA-2137-00

L X H X T (mm)	665 X 506 X 16
INLET	
OUTLET	
OE REF.	
APPLICATION	PAJERO V73

MITSUBISHI BA-2138-00

L X H X T (mm)	661 X 314 X 16
INLET	
OUTLET	
OE REF.	MR218428 / MR360276
APPLICATION	LANCER/MIRAGE



MITSUBISHI BA-2139-00

L X H X T (mm)	687 X 337 X 16
INLET	
OUTLET	
OE REF.	MR813733 / MR116930
APPLICATION	GALANT '98- / 03-

MITSUBISHI BA-2140-00

L X H X T (mm)	705 X 335 X 16
INLET	
OUTLET	
OE REF.	MR500441 / CAB311B121
APPLICATION	LANCER '00-03

MITSUBISHI BA-2141-00

L X H X T (mm)	717 X 350 X 16
INLET	
OUTLET	
OE REF.	MR / N151100
APPLICATION	LANCER CH/2.0L '04-07

A
A
COMPRESSOR
B
A
CONDENSER
C
A
EVAPORATOR
D
A
RECEIVER DRIER
E
A
EXPANSION VALVE
F
A
CABIN FILTER
G
A
MOTOR
H
A
HOSES
I
A
THERMOSTAT
J
A
BLOWER
K
A
AC / DC FAN
L
A
REFRIGERANT GAS
M
A
FITTING
N
A
FERRULE
O
A
ACCESSORIES



MITSUBISHI BA-2142-00	
L X H X T (mm)	614 X 335 X 16
INLET	
OUTLET	
OE REF.	MR360415
APPLICATION	CHALLENGER / MONTERO SPORT '98-04



MITSUBISHI BA-2143-00	
L X H X T (mm)	726 X 310 X 20
INLET	
OUTLET	
OE REF.	MR460343 / MR460600
APPLICATION	PAJERO 10 '93-98



MITSUBISHI BA-2144-00	
L X H X T (mm)	713 X 390 X 16
INLET	
OUTLET	
OE REF.	MR958462
APPLICATION	OUTLANDER '03-06



MITSUBISHI BA-2145-00	
L X H X T (mm)	657 X 492 X 16
INLET	
OUTLET	
OE REF.	MR513110
APPLICATION	PAJERO '98-



MITSUBISHI BA-2146-00	
L X H X T (mm)	610 X 340 X 16
INLET	
OUTLET	
OE REF.	
APPLICATION	mitsubishi



MITSUBISHI BA-2147-00	
L X H X T (mm)	730 X 428 X 16
INLET	
OUTLET	
OE REF.	
APPLICATION	mitsubishi



MITSUBISHI BA-2148-00	
L X H X T (mm)	658 X 300.5 X 16
INLET	
OUTLET	
OE REF.	
APPLICATION	MITSUBISHI CE99

Picture
Unavailable

MITSUBISHI BA-1922-00	
L X H X T (mm)	X X
INLET	
OUTLET	
OE REF.	
APPLICATION	MITSUBISHI CANTER WITH DRIER / 24V FAN ASSEMBLY

Picture
Unavailable

MITSUBISHI BA-2266-00	
L X H X T (mm)	X X
INLET	
OUTLET	
OE REF.	
APPLICATION	MITSUBISHI

Picture
Unavailable

Picture
Unavailable

MITSUBISHI BA-2267-00

L X H X T (mm)	X X
INLET	
OUTLET	
OE REF.	
APPLICATION	mitsubishi

MITSUBISHI BA-2268-00

L X H X T (mm)	X X
INLET	
OUTLET	
OE REF.	
APPLICATION	mitsubishi

A
A
COMPRESSOR

B
A
CONDENSER

C
A
EVAPORATOR

D
A
RECEIVER DRIER

E
A
EXPANSION VALVE

F
A
CABIN FILTER

G
A
MOTOR

H
A
HOSES

I
A
THERMOSTAT

J
A
BLOWER

K
A
AC / DC FAN

L
A
REFRIGERANT GAS

M
A
FITTING

N
A
FERRULE

O
A
ACCESSORIES

A
A
COMPRESSOR

B
A
CONDENSER

C
A
EVAPORATOR

D
A
RECEIVER DRIER

E
A
EXPANSION VALVE

F
A
CABIN FILTER

G
A
MOTOR

H
A
HOSES

I
A
THERMOSTAT

J
A
BLOWER

K
A
AC / DC FAN

L
A
REFRIGERANT GAS

M
A
FITTING

N
A
FERRULE

O
A
ACCESSORIES



NISSAN	BA-2051-00
L X H X T (mm)	735 X 325 X 20
INLET	
OUTLET	
OE REF.	92110-3S401/49A08
APPLICATION	NISSAN PICKUP D22 R12 / R134A '97



NISSAN	BA-2052-00
L X H X T (mm)	733 X 347 X 16
INLET	
OUTLET	
OE REF.	92110-9E000/92110-0Z803
APPLICATION	NISSAN BLUEBIRD U13 '98-01



NISSAN	BA-2053-00
L X H X T (mm)	720 X 374 X 16
INLET	
OUTLET	
OE REF.	92100-YY920
APPLICATION	NISSAN CEFIRO A32 '98



NISSAN	BA-2054-00
L X H X T (mm)	687 X 290 X 16
INLET	
OUTLET	
OE REF.	92110-4M400
APPLICATION	NISSAN SUNNY B14 '98-



NISSAN	BA-2055-00
L X H X T (mm)	773 X 336 X 16
INLET	
OUTLET	
OE REF.	92110-50U00
APPLICATION	NISSAN CEFIRO-A32 '95-96



NISSAN	BA-2056-00
L X H X T (mm)	733 X 347 X 16
INLET	
OUTLET	
OE REF.	92110-2B000
APPLICATION	NISSAN FOISION / ALTIMA '93-97



NISSAN	BA-2057-00
L X H X T (mm)	768 X 336 X 16
INLET	
OUTLET	
OE REF.	92100-8J050
APPLICATION	NISSAN TEANA / ALTIMA / MURANO '02-06



NISSAN	BA-2059-00
L X H X T (mm)	735 X 367 X 20
INLET	
OUTLET	
OE REF.	92110-9S600
APPLICATION	NISSAN PALADIN



NISSAN	BA-2061-00
L X H X T (mm)	733 X 324 X 16
INLET	
OUTLET	
OE REF.	92101-G9800
APPLICATION	PATROL / Y61 '02-



NISSAN	BA-2062-00
L X H X T (mm)	730 X 304 X 16
INLET	
OUTLET	
OE REF.	92110-5M000
APPLICATION	SUNNY '00-

NISSAN	BA-2063-00
L X H X T (mm)	648 X 350 X 16
INLET	
OUTLET	
OE REF.	92100-ED000
APPLICATION	TIIDA '04-

NISSAN	BA-2064-00
L X H X T (mm)	734 X 304 X 16
INLET	
OUTLET	
OE REF.	92110-4Z001
APPLICATION	SENTRA '00-02



NISSAN	BA-2065-00
L X H X T (mm)	740 X 360 X 16
INLET	
OUTLET	
OE REF.	
APPLICATION	FOISION

NISSAN	BA-2066-00
L X H X T (mm)	735 X 391 X 16
INLET	
OUTLET	
OE REF.	92110-2W110
APPLICATION	PATHFINDER '98-00

NISSAN	BA-2067-00
L X H X T (mm)	732 X 367 X 16
INLET	
OUTLET	
OE REF.	92100-2Y960 / 92110-3Y100
APPLICATION	MAXIMA / INFINITI 135 '02-04



NISSAN	BA-2246-00
L X H X T (mm)	733 X 305 X 16
INLET	
OUTLET	
OE REF.	92110-4Z010 / 92110-4Z001
APPLICATION	SENTRA / MURANO '01-05

NISSAN	BA-2068-00
L X H X T (mm)	690 X 408 X 16
INLET	
OUTLET	
OE REF.	92100-4W011
APPLICATION	INFINITI QX43.5L / PATHFINDER-3.5L '01-04

NISSAN	BA-2069-00
L X H X T (mm)	735 X 377 X 16
INLET	
OUTLET	
OE REF.	92100-8H310
APPLICATION	X-TRAIL '00-03

A A COMPRESSOR
B A CONDENSER
C A EVAPORATOR
D A RECEIVER DRIER
E A EXPANSION VALVE
F A CABIN FILTER
G A MOTOR
H A HOSES
I A THERMOSTAT
J A BLOWER
K A AC / DC FAN
L A REFRIGERANT GAS
M A FITTING
N A FERRULE
O A ACCESSORIES

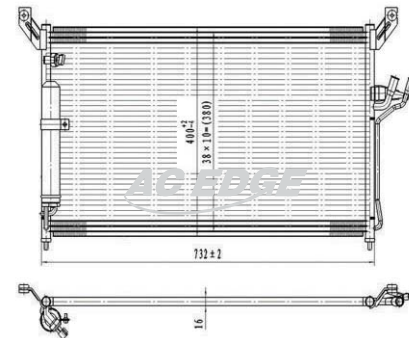
A
A
COMPRESSOR
B
A
CONDENSER
C
A
EVAPORATOR
D
A
RECEIVER DRIER
E
A
EXPANSION VALVE
F
A
CABIN FILTER
G
A
MOTOR
H
A
HOSES
I
A
THERMOSTAT
J
A
BLOWER
K
A
AC / DC FAN
L
A
REFRIGERANT GAS
M
A
FITTING
N
A
FERRULE
O
A
ACCESSORIES



NISSAN	BA-2070-00
L X H X T (mm)	735 X 386 X 16
INLET	
OUTLET	
OE REF.	92100-AM600
APPLICATION	INFINITI / G35 CUOPLE / SEDAN '03-07



NISSAN	BA-2071-00
L X H X T (mm)	733 X 310 X 16
INLET	
OUTLET	
OE REF.	
APPLICATION	ALMRA 1.5DCI & 2.0DCI



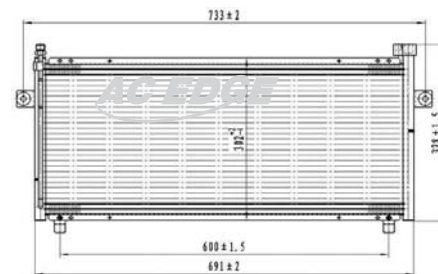
NISSAN	BA-2072-00
L X H X T (mm)	732 X 400 X 16
INLET	
OUTLET	
OE REF.	92100-CG010
APPLICATION	INFINITI FX35 / FX45 '03-07



NISSAN	BA-2073-00
L X H X T (mm)	734 X 383 X 16
INLET	
OUTLET	
OE REF.	92110-2Y900
APPLICATION	CEFIRO A33 '00-



NISSAN	BA-2074-00
L X H X T (mm)	700 X 400.5 X 16
INLET	
OUTLET	
OE REF.	92110-VB010 / VB000
APPLICATION	PATROL '97-00



NISSAN	BA-2075-00
L X H X T (mm)	691 X 302 X 16
INLET	
OUTLET	
OE REF.	92110-67B17
APPLICATION	MARCH-A/T '93-97



NISSAN	BA-2076-00
L X H X T (mm)	730 X 310 X 16
INLET	
OUTLET	
OE REF.	92110-BM407
APPLICATION	SENTRA 2.0 / PRIMERA-P12E '02-



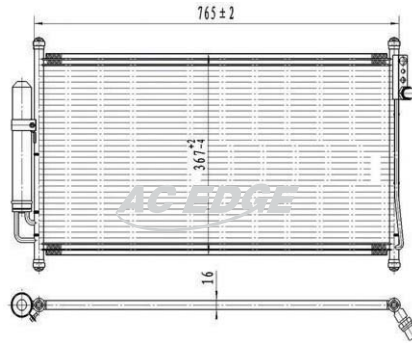
NISSAN	BA-2077-00
L X H X T (mm)	735 X 332 X 16
INLET	
OUTLET	
OE REF.	92110-2F000 / 92110-2F005
APPLICATION	PRIMERA-P11 '96-99



NISSAN	BA-2078-00
L X H X T (mm)	729 X 361 X 16
INLET	
OUTLET	
OE REF.	92110-1Z600 / 92110-1Z610
APPLICATION	X-TERRA '03-04



NISSAN	BA-2079-00
L X H X T (mm)	729 X 380 X 16
INLET	
OUTLET	
OE REF.	92110-0W710
APPLICATION	PATHFINDER 3.3L FORM 8/97 '96-98



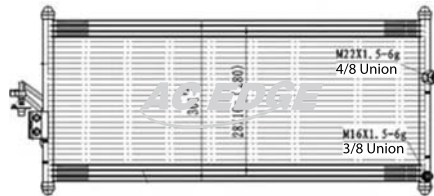
NISSAN	BA-2058-00
L X H X T (mm)	765 X 367 X 16
INLET	
OUTLET	
OE REF.	92110-CA000
APPLICATION	NISSAN TEANA / ALTIMA / MURANO '03-07



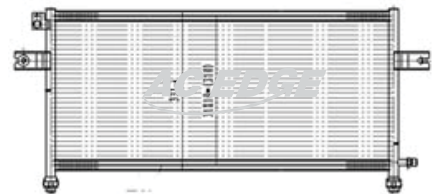
NISSAN	BA-2060-00
L X H X T (mm)	
INLET	
OUTLET	
OE REF.	
APPLICATION	PRIMERA P12 '02-08



NISSAN	BA-2293-00
L X H X T (mm)	680 X 380 X 20
INLET	
OUTLET	
OE REF.	
APPLICATION	NISSAN CEFIRO A33



NISSAN	BA-2278-00
L X H X T (mm)	730 X 301 X 16
INLET	
OUTLET	
OE REF.	
APPLICATION	NISSAN SENTRA N16



NISSAN	BA-2279-00
L X H X T (mm)	X X
INLET	
OUTLET	
OE REF.	
APPLICATION	NISSAN FRONTIER

Picture
Unavailable

NISSAN	BA-2292-00
L X H X T (mm)	X X
INLET	
OUTLET	
OE REF.	
APPLICATION	NISSAN

A A COMPRESSOR
B A CONDENSER
C A EVAPORATOR
D A RECEIVER DRIER
E A EXPANSION VALVE
F A CABIN FILTER
G A MOTOR
H A HOSES
I A THERMOSTAT
J A BLOWER
K A AC / DC FAN
L A REFRIGERANT GAS
M A FITTING
N A FERRULE
O A ACCESSORIES

A
A
COMPRESSOR

B
A
CONDENSER

C
A
EVAPORATOR

D
A
RECEIVER DRIER

E
A
EXPANSION VALVE

F
A
CABIN FILTER

G
A
MOTOR

H
A
HOSES

I
A
THERMOSTAT

J
A
BLOWER

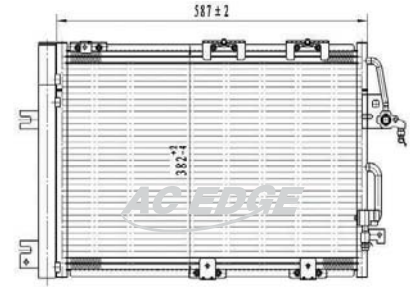
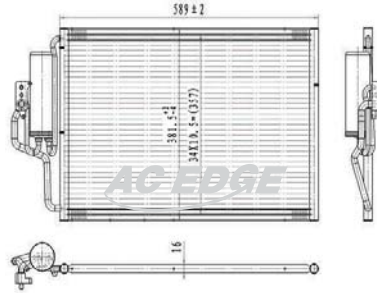
K
A
AC / DC FAN

L
A
REFRIGERANT GAS

M
A
FITTING

N
A
FERRULE

O
A
ACCESSORIES



OPEL	BA-2231-00
L X H X T (mm)	510 X 360 X 16
INLET	
OUTLET	
OE REF.	
APPLICATION	

OPEL	BA-2232-00
L X H X T (mm)	589 X 381.5 X 16
INLET	
OUTLET	
OE REF.	9201959 / 1850000 / 1850091
APPLICATION	CORSA-C '00-

OPEL	BA-2234-00
L X H X T (mm)	587 X 382 X 16
INLET	
OUTLET	
OE REF.	
APPLICATION	ASTRA



PEUGEOT	BA-2204-00
L X H X T (mm)	591 X 360 X 16
INLET	
OUTLET	
OE REF.	6455.W7 / 6455.Y0
APPLICATION	206 FLARE '98-



PEUGEOT	BA-2205-00
L X H X T (mm)	592 X 373 X 16
INLET	
OUTLET	
OE REF.	
APPLICATION	206 R12 '98-



PEUGEOT	BA-2206-00
L X H X T (mm)	592 X 350 X 16
INLET	
OUTLET	
OE REF.	6455.P6 / 6455.R3
APPLICATION	405 '92-



PEUGEOT	BA-2233-00
L X H X T (mm)	560 X 360 X 16
INLET	
OUTLET	
OE REF.	6455.AA / 6455.CY
APPLICATION	307 ALL BENZIER '00-03



PEUGEOT	BA-2245-00
L X H X T (mm)	559 X 361 X 16
INLET	
OUTLET	
OE REF.	
APPLICATION	406 / 607

Picture
Unavailable

PEUGEOT	BA-2306-00
L X H X T (mm)	X X
INLET	
OUTLET	
OE REF.	
APPLICATION	PEUGEOT

Picture
Unavailable

Picture
Unavailable

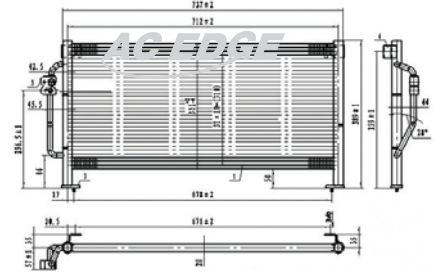
PEUGEOT	BA-2308-00
L X H X T (mm)	X X
INLET	
OUTLET	
OE REF.	
APPLICATION	PEUGEOT 307

PEUGEOT	BA-2310-00
L X H X T (mm)	X X
INLET	
OUTLET	
OE REF.	
APPLICATION	PEUGEOT 207

- A
A
COMPRESSOR
- B
A
CONDENSER
- C
A
EVAPORATOR
- D
A
RECEIVER DRIER
- E
A
EXPANSION VALVE
- F
A
CABIN FILTER
- G
A
MOTOR
- H
A
HOSES
- I
A
THERMOSTAT
- J
A
BLOWER
- K
A
AC / DC FAN
- L
A
REFRIGERANT GAS
- M
A
FITTING
- N
A
FERRULE
- O
A
ACCESSORIES



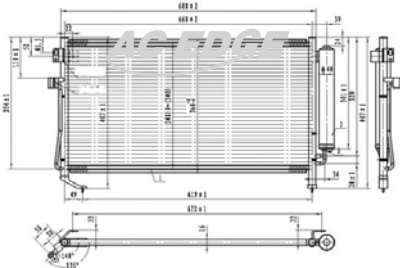
RENAULT	BA-2191-00
L X H X T (mm)	640 X 360 X 16
INLET	
OUTLET	
OE REF.	7701.045.346
APPLICATION	LAGUNA '98-



SUBARU	BA-2080-00
L X H X T (mm)	687 X 330 X 16
INLET	
OUTLET	
OE REF.	73210-FE010
APPLICATION	SUBARU IMPREZA 05 '04-05

SUBARU	BA-2081-00
L X H X T (mm)	687 X 330 X 16
INLET	
OUTLET	
OE REF.	73210-FE000 / 73210-FE001
APPLICATION	SUBARU IMPREZA GC #02

SUBARU	BA-2082-00
L X H X T (mm)	737 X 331 X 20
INLET	
OUTLET	
OE REF.	73210-FC000
APPLICATION	FORESTER 97 '97-



SUBARU	BA-2083-00
L X H X T (mm)	688 X 360 X 16
INLET	
OUTLET	
OE REF.	73210-SA000 / 73210-SA010
APPLICATION	FORESTER '03-06

A
A
COMPRESSOR
B
A
CONDENSER
C
A
EVAPORATOR
D
A
RECEIVER DRIER
E
A
EXPANSION VALVE
F
A
CABIN FILTER
G
A
MOTOR
H
A
HOSES
I
A
THERMOSTAT
J
A
BLOWER
K
A
AC / DC FAN
L
A
REFRIGERANT GAS
M
A
FITTING
N
A
FERRULE
O
A
ACCESSORIES



SUZUKI	BA-2155-00
L X H X T (mm)	521 X 353 X 16
INLET	
OUTLET	
OE REF.	
APPLICATION	SUZUKI YITAKA



SUZUKI	BA-2156-00
L X H X T (mm)	491 X 372 X 16
INLET	
OUTLET	
OE REF.	MN134204 / 191176896
APPLICATION	SUZUKI



SUZUKI	BA-2157-00
L X H X T (mm)	513 X 362 X 16
INLET	
OUTLET	
OE REF.	95310-65D30
APPLICATION	VITARA / GRAND VITARA '99-04 / 00-01



SUZUKI	BA-2158-00
L X H X T (mm)	502 X 354 X 16
INLET	
OUTLET	
OE REF.	
APPLICATION	SUZUKI



SUZUKI	BA-2161-00
L X H X T (mm)	463 X 447 X 16
INLET	
OUTLET	
OE REF.	
APPLICATION	SUZUKI APV '04-05



SUZUKI	BA-2228-00
L X H X T (mm)	
INLET	
OUTLET	
OE REF.	
APPLICATION	AERIO '03-04



SUZUKI	BA-2284-00
L X H X T (mm)	500 X 336 X 16
INLET	
OUTLET	
OE REF.	
APPLICATION	SUZUKI SWIFT '06-

Picture
Unavailable

SUZUKI	BA-1869-00
L X H X T (mm)	X X
INLET	
OUTLET	
OE REF.	
APPLICATION	SUZUKI CULTUS



TOYOTA	BA-1874-00
L X H X T (mm)	652 X 390 X 16
INLET	
OUTLET	
OE REF.	88450-12041
APPLICATION	TOYOTA COROLLA MIDDLE EAST '01



TOYOTA	BA-2000-00
L X H X T (mm)	574 X 295 X 20
INLET	
OUTLET	
OE REF.	88460-35200
APPLICATION	TOYOTA HILUX 2700 '98-



TOYOTA	BA-2001-00
L X H X T (mm)	740 X 356 X 20
INLET	
OUTLET	
OE REF.	88460-60160
APPLICATION	LANDCRUISER '93-98



TOYOTA	BA-2002-00
L X H X T (mm)	594 X 480 X 16
INLET	
OUTLET	
OE REF.	88460-60250
APPLICATION	PRADO / LANDCRUISER



TOYOTA	BA-2003-00
L X H X T (mm)	711 X 374 X 16
INLET	
OUTLET	
OE REF.	
APPLICATION	LANDCRUISER



TOYOTA	BA-2004-00
L X H X T (mm)	710 X 410 X 16
INLET	
OUTLET	
OE REF.	88460-0W040
APPLICATION	CAMRY 2.4 '01-06



TOYOTA	BA-2005-00
L X H X T (mm)	669 X 350 X 16
INLET	
OUTLET	
OE REF.	88450-0D130
APPLICATION	VIOS '04



TOYOTA	BA-2006-00
L X H X T (mm)	628 X 350 X 16
INLET	
OUTLET	
OE REF.	88450-0B030/88501-0D110
APPLICATION	VIOS '03



TOYOTA	BA-2007-00
L X H X T (mm)	634 X 520 X 16
INLET	
OUTLET	
OE REF.	88461-35150 / 88461-60091
APPLICATION	PRADO SINGLE BLOCK '03-07

A
A
COMPRESSOR
B
A
CONDENSER
C
A
EVAPORATOR
D
A
RECEIVER DRIER
E
A
EXPANSION VALVE
F
A
CABIN FILTER
G
A
MOTOR
H
A
HOSES
I
A
THERMOSTAT
J
A
BLOWER
K
A
AC / DC FAN
L
A
REFRIGERANT GAS
M
A
FITTING
N
A
FERRULE
O
A
ACCESSORIES



TOYOTA	BA-2008-00
L X H X T (mm)	634 X 520 X 16
INLET	
OUTLET	
OE REF.	88460-12240
APPLICATION	PRADO DOUBLE BLOCK



TOYOTA	BA-2009-00
L X H X T (mm)	512 X 408 X 16
INLET	
OUTLET	
OE REF.	
APPLICATION	HIACE



TOYOTA	BA-2011-00
L X H X T (mm)	749 X 380 X 16
INLET	
OUTLET	
OE REF.	88460-07060 / 88460-33100
APPLICATION	CAMRY '06-



TOYOTA	BA-2012-00
L X H X T (mm)	686 X 405 X 16
INLET	
OUTLET	
OE REF.	
APPLICATION	CROWN



TOYOTA	BA-2013-00
L X H X T (mm)	687 X 376 X 16
INLET	
OUTLET	
OE REF.	
APPLICATION	REIZ



TOYOTA	BA-2014-00
L X H X T (mm)	600 X 460 X 16
INLET	
OUTLET	
OE REF.	88460-60240
APPLICATION	LAND CRUISER / PRADO '95-02



TOYOTA	BA-2015-00
L X H X T (mm)	646 X 462 X 16
INLET	
OUTLET	
OE REF.	
APPLICATION	HILUX/VEGA



TOYOTA	BA-2016-00
L X H X T (mm)	646 X 462 X 16
INLET	
OUTLET	
OE REF.	
APPLICATION	HILUX



TOYOTA	BA-2017-00
L X H X T (mm)	571 X 303 X 20
INLET	
OUTLET	
OE REF.	88460-35280
APPLICATION	HILUX-RZN 149 2RZ '02-03



TOYOTA	BA-2018-00
L X H X T (mm)	531 X 348 X 16
INLET	
OUTLET	
OE REF.	88460-52040
APPLICATION	ECHO '00-01



TOYOTA	BA-2019-00
L X H X T (mm)	651 X 502 X 16
INLET	
OUTLET	
OE REF.	
APPLICATION	INNOVA



TOYOTA	BA-2020-00
L X H X T (mm)	651 X 502 X 16
INLET	
OUTLET	
OE REF.	
APPLICATION	INNOVA



TOYOTA	BA-2021-00
L X H X T (mm)	695 X 315 X 16
INLET	
OUTLET	
OE REF.	88461-08010
APPLICATION	SIENNA / ALFARD '01-04



TOYOTA	BA-2022-00
L X H X T (mm)	831 X 540 X 16
INLET	
OUTLET	
OE REF.	
APPLICATION	TOYOTA



TOYOTA	BA-2023-00
L X H X T (mm)	666 X 402 X 16
INLET	
OUTLET	
OE REF.	88460-21040
APPLICATION	WISH H/CALDINA AZT24 #02-/PREMIO/ALLION



TOYOTA	BA-2024-00
L X H X T (mm)	746 X 398 X 16
INLET	
OUTLET	
OE REF.	
APPLICATION	AVENSIS VERSO



TOYOTA	BA-2025-00
L X H X T (mm)	574 X 296 X 20
INLET	
OUTLET	
OE REF.	
APPLICATION	PICKUP 2000 '00-



TOYOTA	BA-2026-00
L X H X T (mm)	647 X 460 X 16
INLET	
OUTLET	
OE REF.	
APPLICATION	PICKUP 2006 '06-

A A COMPRESSOR
 B A CONDENSER
 C A EVAPORATOR
 D A RECEIVER DRIER
 E A EXPANSION VALVE
 F A CABIN FILTER
 G A MOTOR
 H A HOSES
 I A THERMOSTAT
 J A BLOWER
 K A AC / DC FAN
 L A REFRIGERANT GAS
 M A FITTING
 N A FERRULE
 O A ACCESSORIES

A
A
COMPRESSOR

B
A
CONDENSER

C
A
EVAPORATOR

D
A
RECEIVER DRIER

E
A
EXPANSION VALVE

F
A
CABIN FILTER

G
A
MOTOR

H
A
HOSES

I
A
THERMOSTAT

J
A
BLOWER

K
A
AC / DC FAN

L
A
REFRIGERANT GAS

M
A
FITTING

N
A
FERRULE

O
A
ACCESSORIES



TOYOTA BA-2027-00	
L X H X T (mm)	650 X 389 X 16
INLET	
OUTLET	
OE REF.	88450-02150
APPLICATION	COROLLA '01-



TOYOTA BA-2028-00	
L X H X T (mm)	385 X 399 X 16
INLET	
OUTLET	
OE REF.	
APPLICATION	AVANZA(MT)



TOYOTA BA-2029-00	
L X H X T (mm)	497 X 399 X 16
INLET	
OUTLET	
OE REF.	
APPLICATION	AVANZA(AT)



TOYOTA BA-2030-00	
L X H X T (mm)	520 X 399.5 X 16
INLET	
OUTLET	
OE REF.	
APPLICATION	TOYOTA



TOYOTA BA-2031-00	
L X H X T (mm)	730 X 442 X 16
INLET	
OUTLET	
OE REF.	88460-48020
APPLICATION	KLUGER / HIGHLANDER '00-03



TOYOTA BA-2032-00	
L X H X T (mm)	620 X 359 X 16
INLET	
OUTLET	
OE REF.	88460-20470
APPLICATION	CELICA '94-97



TOYOTA BA-2033-00	
L X H X T (mm)	690 X 462 X 16
INLET	
OUTLET	
OE REF.	88460-28460
APPLICATION	TOWN ACE / NOAH '96-01



TOYOTA BA-2034-00	
L X H X T (mm)	772 X 482 X 16
INLET	
OUTLET	
OE REF.	88460-28580
APPLICATION	NOAH / VOXY AZR60 '02-



TOYOTA BA-2035-00	
L X H X T (mm)	626 X 380 X 16
INLET	
OUTLET	
OE REF.	88460-02320
APPLICATION	COROLLA '07-



TOYOTA	BA-2036-00
L X H X T (mm)	705 X 410 X 16
INLET	
OUTLET	
OE REF.	88460-42100
APPLICATION	RAV4 '07-08



TOYOTA	BA-2037-00
L X H X T (mm)	631 X 396 X 16
INLET	
OUTLET	
OE REF.	88460-44310
APPLICATION	IPSUM '98-01



TOYOTA	BA-2038-00
L X H X T (mm)	671 X 378 X 16
INLET	
OUTLET	
OE REF.	88460-32230
APPLICATION	VISTA '98-03



TOYOTA	BA-2039-00
L X H X T (mm)	611 X 340 X 16
INLET	
OUTLET	
OE REF.	88450-21010
APPLICATION	CALDINA ST21 '97-02



TOYOTA	BA-2010-00
L X H X T (mm)	626 X 506 X 16
INLET	
OUTLET	
OE REF.	
APPLICATION	HIACE '06-



TOYOTA	BA-2135-00
L X H X T (mm)	652 X 384 X 16
INLET	
OUTLET	
OE REF.	88450-02170/88450-02270 88450-12561/88450-12231
APPLICATION	COROLLA / BYDF3 '03-



TOYOTA	BA-2227-00
L X H X T (mm)	
INLET	
OUTLET	
OE REF.	
APPLICATION	



TOYOTA	BA-2040-00
L X H X T (mm)	672 X 408 X 16
INLET	
OUTLET	
OE REF.	88460-20570
APPLICATION	PREMIO / ALLION '01-04



TOYOTA	BA-2041-00
L X H X T (mm)	520 X 350 X 16
INLET	
OUTLET	
OE REF.	
APPLICATION	ECHO '03-05

A A A COMPRESSOR
 B A A CONDENSER
 C A A EVAPORATOR
 D A A RECEIVER DRIER
 E A A EXPANSION VALVE
 F A A CABIN FILTER
 G A A MOTOR
 H A A HOSES
 I A A THERMOSTAT
 J A A BLOWER
 K A A AC / DC FAN
 L A A REFRIGERANT GAS
 M A A FITTING
 N A A FERRULE
 O A A ACCESSORIES

A
A
COMPRESSOR

B
A
CONDENSER

C
A
EVAPORATOR

D
A
RECEIVER DRIER

E
A
EXPANSION VALVE

F
A
CABIN FILTER

G
A
MOTOR

H
A
HOSES

I
A
THERMOSTAT

J
A
BLOWER

K
A
AC / DC FAN

L
A
REFRIGERANT GAS

M
A
FITTING

N
A
FERRULE

O
A
ACCESSORIES



TOYOTA	BA-2042-00
L X H X T (mm)	630 X 362 X 16
INLET	
OUTLET	
OE REF.	
APPLICATION	COROLLA '07-08



TOYOTA	BA-2043-00
L X H X T (mm)	730 X 420 X 16
INLET	
OUTLET	
OE REF.	88460-0C080/88460-0C030
APPLICATION	SEQUOIA '01-06



TOYOTA	BA-2044-00
L X H X T (mm)	673 X 418 X 16
INLET	
OUTLET	
OE REF.	88460-22590
APPLICATION	MARK II '00-



TOYOTA	BA-2045-00
L X H X T (mm)	670 X 392 X 16
INLET	
OUTLET	
OE REF.	88460-44020/88460-44050
APPLICATION	PICNIC '96-98



TOYOTA	BA-2046-00
L X H X T (mm)	750 X 402 X 16
INLET	
OUTLET	
OE REF.	88460-44430
APPLICATION	AVENSIS VERSO



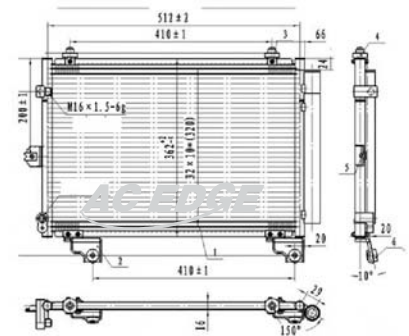
TOYOTA	BA-2047-00
L X H X T (mm)	707 X 341 X 16
INLET	
OUTLET	
OE REF.	
APPLICATION	YARIS '07-08



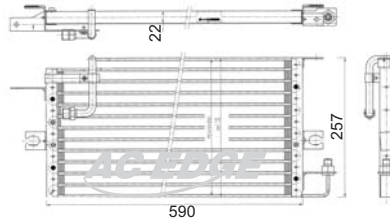
TOYOTA	BA-2048-00
L X H X T (mm)	546 X 341 X 16
INLET	
OUTLET	
OE REF.	
APPLICATION	YARIS '07-08



TOYOTA	BA-2049-00
L X H X T (mm)	631 X 340 X 16
INLET	
OUTLET	
OE REF.	88501-0D110
APPLICATION	VIOS '03-05



TOYOTA	BA-2050-00
L X H X T (mm)	532 X 362 X 16
INLET	
OUTLET	
OE REF.	
APPLICATION	DARIO TERIOS



TOYOTA	BA-2247-00
L X H X T (mm)	632 X 384.5 X 16
INLET	
OUTLET	
OE REF.	88450-02261
APPLICATION	MATRIX '05-06

TOYOTA	BA-1648-SP
L X H X T (mm)	590 X 257 X 22
INLET	
OUTLET	
OE REF.	
APPLICATION	TOYOTA HILUX '96-97 SPC

TOYOTA	BA-2299-00
L X H X T (mm)	790 X 310 X 22
INLET	
OUTLET	
OE REF.	
APPLICATION	TOYOTA RAV 4



TOYOTA	BA-2272-00
L X H X T (mm)	576 X 478 X 16
INLET	
OUTLET	
OE REF.	
APPLICATION	TOYOTA PRADO (DIESEL)

TOYOTA	BA-2296-00
L X H X T (mm)	480 X 390 X 16
INLET	
OUTLET	
OE REF.	
APPLICATION	TOYOTA RUSH

A A A COMPRESSOR
B A B CONDENSER
C A C EVAPORATOR
D A D RECEIVER DRIER
E A E EXPANSION VALVE
F A F CABIN FILTER
G A G MOTOR
H A H HOSES
I A I THERMOSTAT
J A J BLOWER
K A K AC / DC FAN
L A L REFRIGERANT GAS
M A M FITTING
N A N FERRULE
O A O ACCESSORIES

A
A
COMPRESSOR

B
A
CONDENSER

C
A
EVAPORATOR

D
A
RECEIVER DRIER

E
A
EXPANSION VALVE

F
A
CABIN FILTER

G
A
MOTOR

H
A
HOSES

I
A
THERMOSTAT

J
A
BLOWER

K
A
AC / DC FAN

L
A
REFRIGERANT GAS

M
A
FITTING

N
A
FERRULE

O
A
ACCESSORIES



VOLKSWAGEN BA-2235-00	
L X H X T (mm)	584 X 356 X 16/20
INLET	
OUTLET	
OE REF.	1J08200413B
APPLICATION	BORA (16/20MM) / BEETLE '98-



VOLKSWAGEN BA-2236-00	
L X H X T (mm)	740 X 299 X 20
INLET	
OUTLET	
OE REF.	
APPLICATION	SANTANA 3000



VOLKSWAGEN BA-2239-00	
L X H X T (mm)	614 X 419 X 16
INLET	
OUTLET	
OE REF.	8D0260401A/C/D/J 8D0260403C/E/T
APPLICATION	PASSAT B5 (16/20MM) '97-00



VOLKSWAGEN BA-2240-00	
L X H X T (mm)	614 X 419.5 X 16
INLET	
OUTLET	
OE REF.	
APPLICATION	PASSAT B5



VOLKSWAGEN BA-2241-00	
L X H X T (mm)	605 X 366 X 16
INLET	
OUTLET	
OE REF.	
APPLICATION	CITY GOLF



VOLKSWAGEN BA-2242-00	
L X H X T (mm)	605 X 350 X 16
INLET	
OUTLET	
OE REF.	1HM820413
APPLICATION	GOLF III '93-96



VOLKSWAGEN BA-2243-00	
L X H X T (mm)	514 X 360 X 16
INLET	
OUTLET	
OE REF.	6Q0820411B
APPLICATION	POLO

Picture Unavailable

VOLKSWAGEN BA-2307-00	
L X H X T (mm)	X X
INLET	
OUTLET	
OE REF.	
APPLICATION	VOLKSWAGEN GOLF V '03- / A3 ; SEAT ALTEA '03-



VOLVO	BA-2203-00
L X H X T (mm)	680 X 340 X 20
INLET	
OUTLET	
OE REF.	3981637
APPLICATION	FM12 '98-

VOLVO	BA-2207-00
L X H X T (mm)	620 X 369 X 16
INLET	
OUTLET	
OE REF.	6849575-3 / 9171271-1
APPLICATION	C70/S70 '94-97

VOLVO	BA-2208-00
L X H X T (mm)	684 X 425 X 20
INLET	
OUTLET	
OE REF.	6848889-9/9171651 8683360-5
APPLICATION	VOLVO FH 16 '03



VOLVO	BA-2210-00
L X H X T (mm)	670 X 339 X 16
INLET	
OUTLET	
OE REF.	30897260-3
APPLICATION	S40/V40 '00-04

A A A COMPRESSOR
 B A B CONDENSER
 C A C EVAPORATOR
 D A D RECEIVER DRIER
 E A E EXPANSION VALVE
 F A F CABIN FILTER
 G A G MOTOR
 H A H HOSES
 I A I THERMOSTAT
 J A J BLOWER
 K A K AC / DC FAN
 L A L REFRIGERANT GAS
 M A M FITTING
 N A N FERRULE
 O A O ACCESSORIES